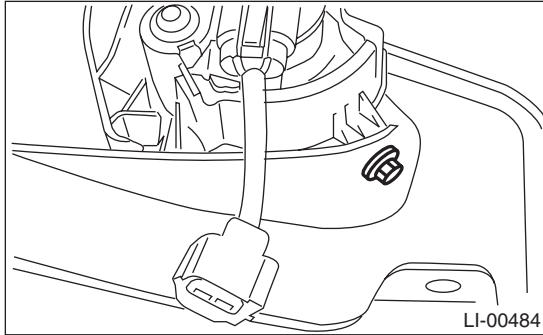


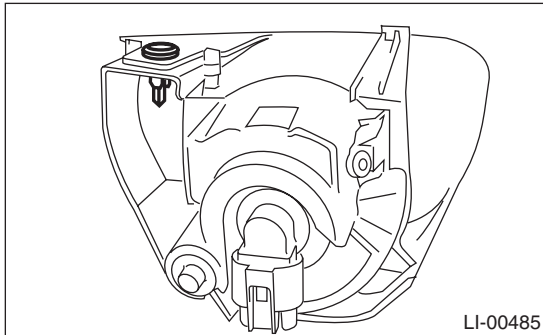
14. Front Fog Light Assembly

A: REMOVAL

- 1) Disconnect the ground cable from the battery.
- 2) Remove the front bumper. <Ref. to EI-21, REMOVAL, Front Bumper.>
- 3) Remove the lower side bolt.



- 4) Remove the upper side clip, and then detach the fog light assembly.



B: INSTALLATION

Install in the reverse order of removal.

C: ADJUSTMENT

Fog light aiming

NOTE:

Before checking the fog light beam level, be sure of the following:

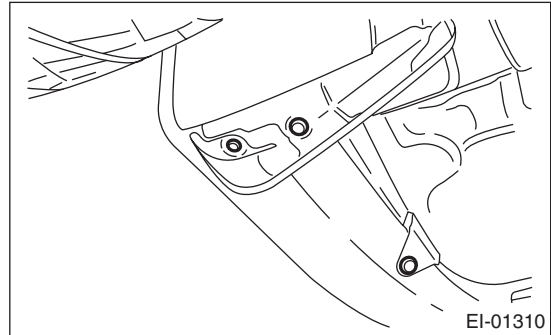
- The area around the fog light does not have any scratch, damage or other type of deformation.
- Vehicle is parked on a level surface.
- The inflation pressure of tires is correct.
- Vehicle's fuel tank is full.

1) Bounce the vehicle several times to normalize the suspension.

2) Make certain that someone is seated in the driver's seat.

3) Measure the height of fog light center.

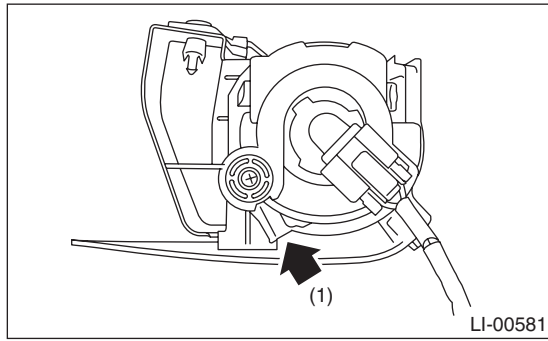
4) Disengage the three clips, and then turn over the mud guard.



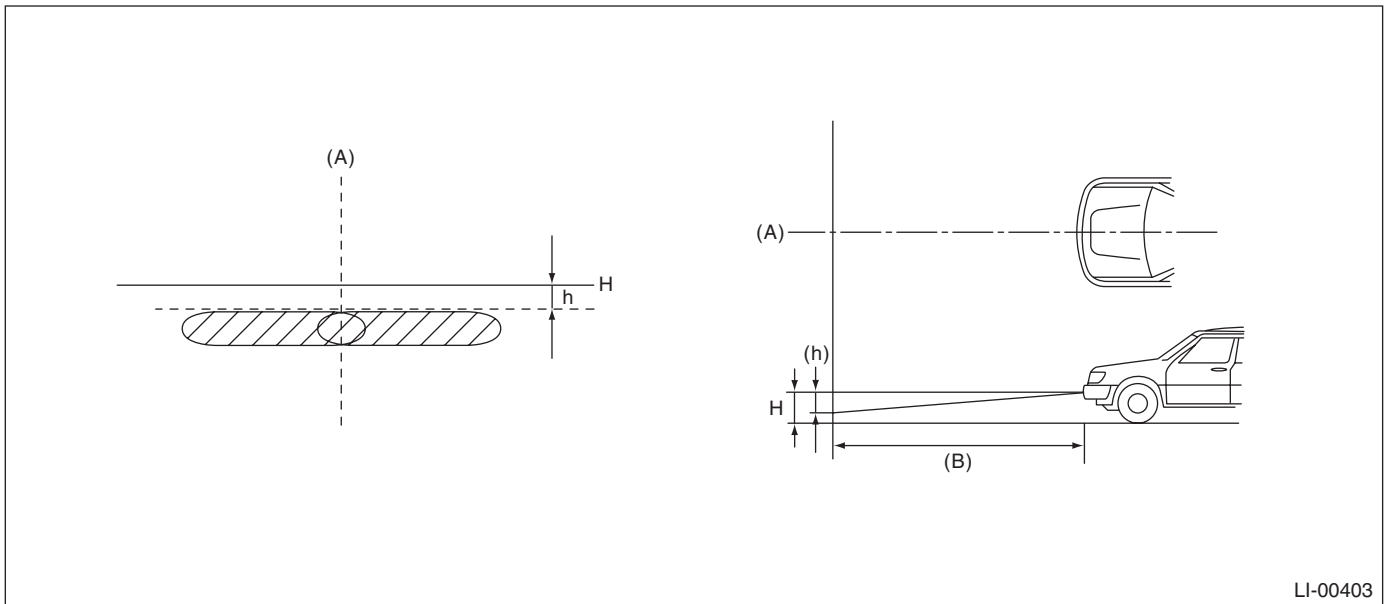
Front Fog Light Assembly

LIGHTING SYSTEM

5) Adjust the front fog light pattern by inserting a Phillips screwdriver to the adjusting hole.



(1) Adjusting hole



LI-00403

(A) Vehicle center

(B) 3 m (10 ft)

(H) Height of fog light center (mm)

h dimension mm (in)	60 (2.4)
---------------------	----------