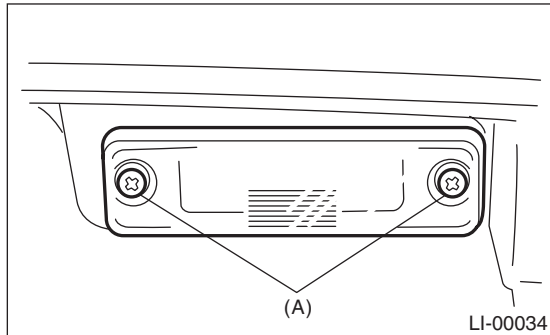


20. License Plate Light

A: REMOVAL

- 1) Remove the license plate light mounting screw (A) and then remove the lens.



- 2) Remove the bulb.

B: INSTALLATION

Install in the reverse order of removal.

C: INSPECTION

- 1) Visually check the bulb for blow out.
- 2) Check the bulb specification.
<Ref. to LI-2, SPECIFICATION, General Description.>
- 3) If NG, replace the bulb with a new part.