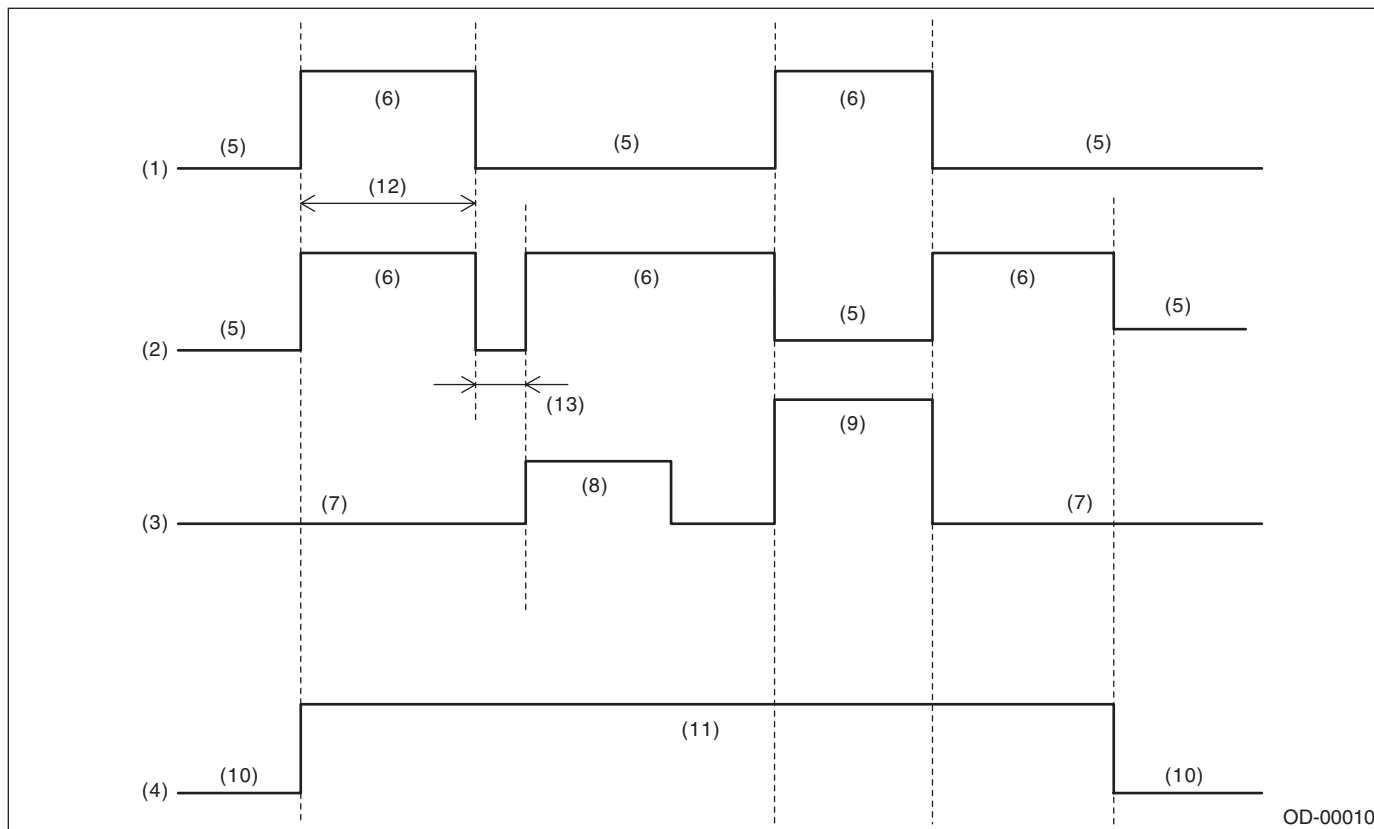


Passenger's Airbag ON/OFF Indicator Light Illumination Pattern

OCCUPANT DETECTION SYSTEM (DIAGNOSTICS)

11. Passenger's Airbag ON/OFF Indicator Light Illumination Pattern

A: INSPECTION



OD-00010

- | | | |
|--|---------------------|---------------------|
| (1) Passenger's airbag ON indicator light | (4) Ignition switch | (9) Adult |
| (2) Passenger's airbag OFF indicator light | (5) Light OFF | (10) OFF |
| (3) Occupant seating | (6) Light ON | (11) ON |
| | (7) Empty | (12) Approx. 6 sec. |
| | (8) Child | (13) Approx. 2 sec. |