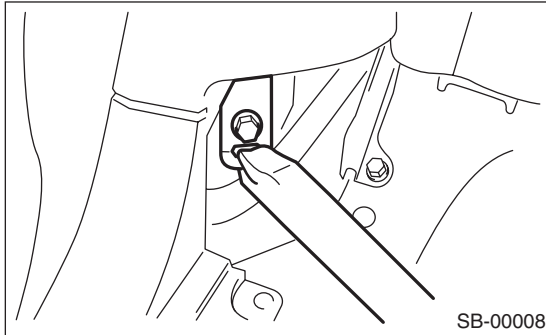


6. Rear Seat Belt

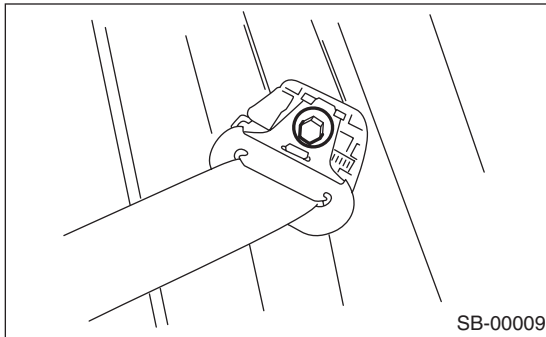
A: REMOVAL

1. OUTER BELT RH AND LH

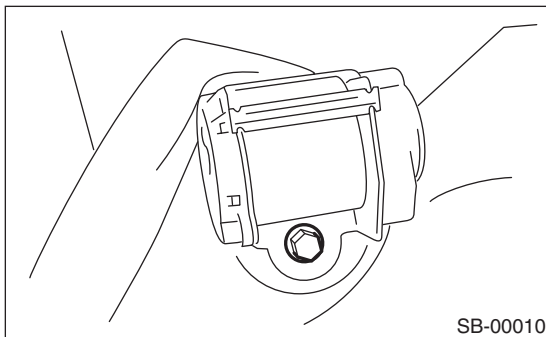
- 1) Remove the luggage floor mat. <Ref. to EI-49, REMOVAL, Luggage Floor Mat.>
- 2) Remove the rear seat. <Ref. to SE-17, REMOVAL, Rear Seat.>
- 3) Remove the rear quarter trim. <Ref. to EI-44, REMOVAL, Rear Quarter Trim.>
- 4) Remove the seat belt lower anchor bolt.



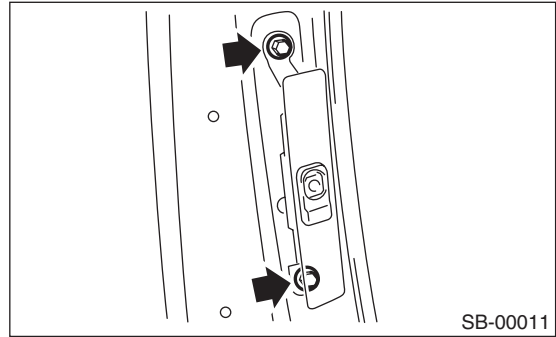
- 5) Remove the anchor cover. Remove the two bolts, and then remove the shoulder anchor from the pillar.



- 6) Remove the rear quarter trim. <Ref. to EI-44, REMOVAL, Rear Quarter Trim.>
- 7) Remove the bolts, and then detach the outer belt side.

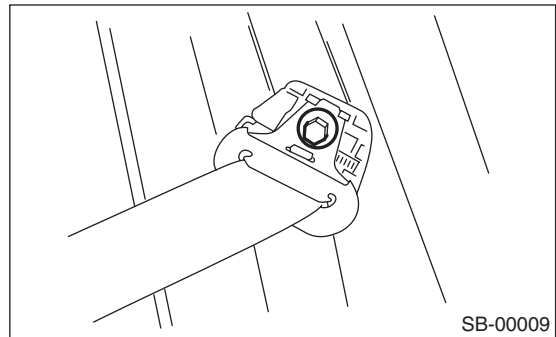


- 8) Remove the two bolts to remove the adjustable anchor assembly.

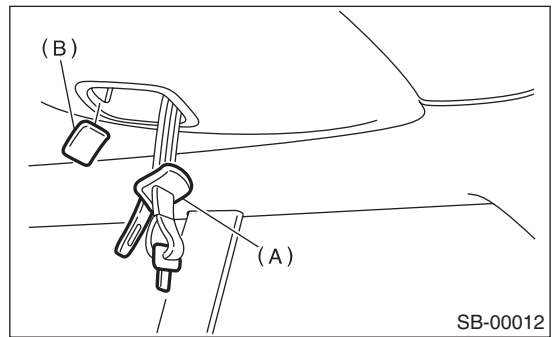


2. OUTER SEAT BELT CENTER

- 1) Remove the anchor cover. Remove the bolt, and then remove the shoulder anchor from the pillar.



- 2) Remove the strut cap. <Ref. to EI-44, REMOVAL, Rear Quarter Trim.>
- 3) Remove the rear rail trim. <Ref. to EI-44, REMOVAL, Rear Quarter Trim.>
- 4) Remove the rear pillar upper trim. <Ref. to EI-44, REMOVAL, Rear Quarter Trim.>
- 5) Remove the rear skirt trim. <Ref. to EI-44, REMOVAL, Rear Quarter Trim.>
- 6) Remove the rear quarter lower trim. <Ref. to EI-44, REMOVAL, Rear Quarter Trim.>
- 7) Remove the snap lock carefully, and then remove the cover (B). Pull the outer seat belt center tongue (A) from the hole to one side of the trim.

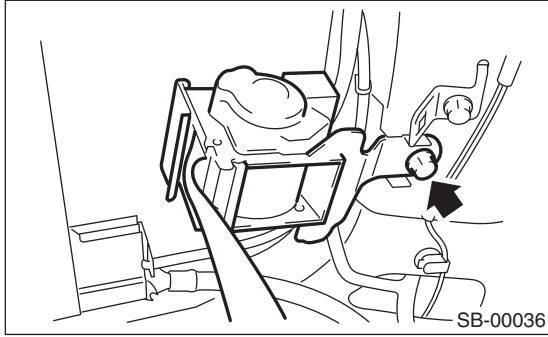


- 8) Remove the clips, and then hang the roof trim back end from the roof.

Rear Seat Belt

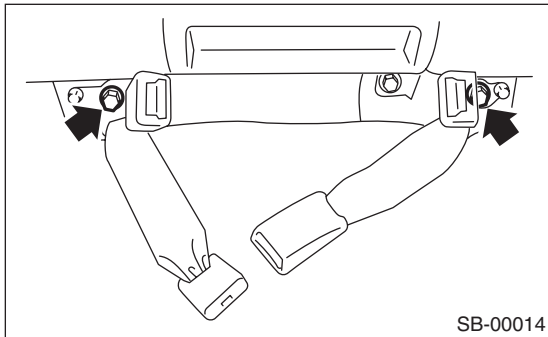
SEAT BELT SYSTEM

9) Disconnect the harness and connectors, and then remove the outer seat belt center assembly.



3. INNER BELT

- 1) Remove the rear cushion.
- 2) Remove the bolt, and then detach the inner belt.



B: INSTALLATION

Install in the reverse order of removal.

CAUTION:

- During installation, make sure that the seat belts are not twisted.
- After installation, make sure that the seat belts are smoothly extended and wound.

Tightening torque:

<Ref. to SB-4, REAR SEAT BELT, COMPONENT, General Description.>

C: INSPECTION

Check for the following, and replace with new parts if necessary.

- Seat belt is slackened, bent or worn.
- Seat belt is abnormally wound or extended.
- Inner belt is deformed or damaged.
- Seat belt buckle cannot be engaged properly.