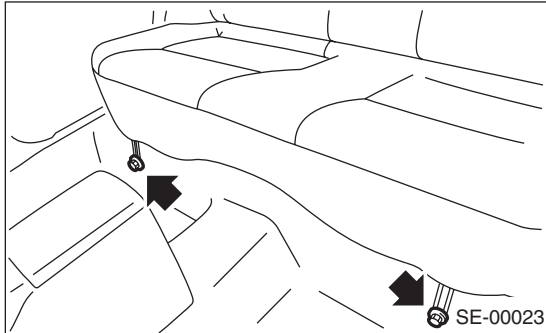


3. Rear Seat

A: REMOVAL

1) Remove the bolt to remove the rear seat cushion.

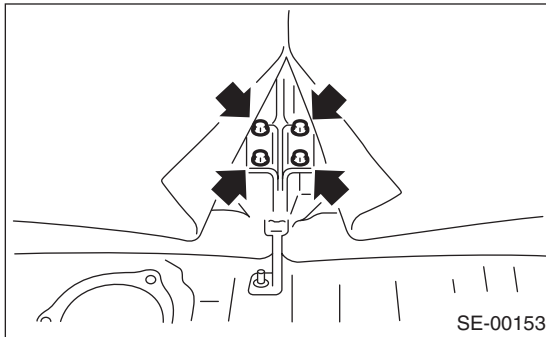


2) Remove the headrest.

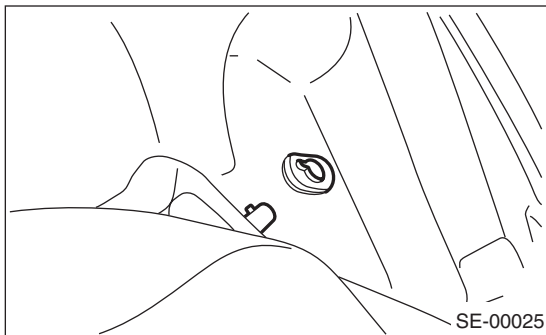
3) Remove the luggage floor mat. <Ref. to EI-49, REMOVAL, Luggage Floor Mat.>

4) Turn over the rear seat backrest.

5) Turn over the seat cover to remove the bolt.



6) Remove the rear seat backrest.



B: INSTALLATION

Install in the reverse order of removal.

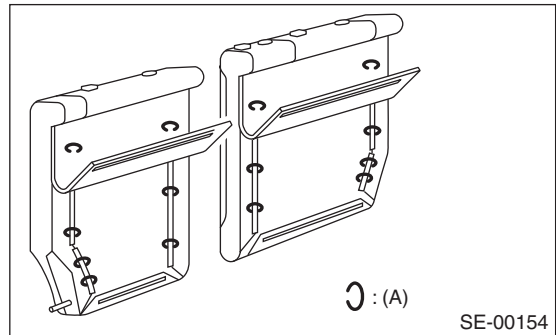
Tightening torque:

Refer to "COMPONENT" of "General Description". <Ref. to SE-5, REAR SEAT, COMPONENT, General Description.>

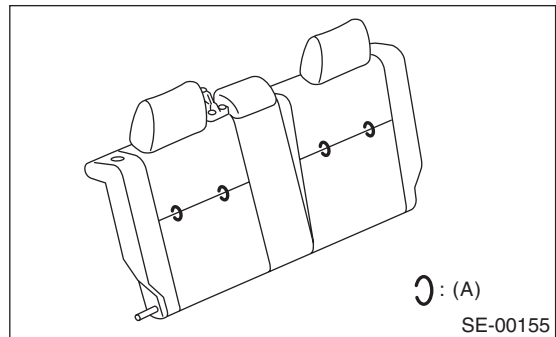
C: DISASSEMBLY

1) Remove the rear seat. <Ref. to SE-17, REMOVAL, Rear Seat.>

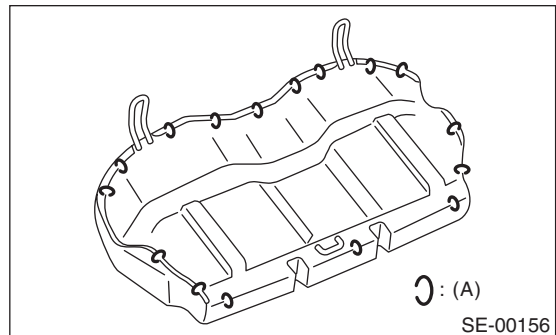
2) Remove the hog rings (A) from the vicinity of the seat backrest.



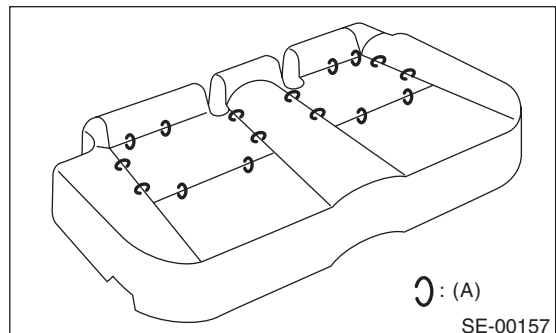
3) Remove the hog rings (A) on the front side of cushion pad, then remove the cover.



4) Remove the hog rings (A) from the vicinity of the seat cushion.



5) Remove the hog rings (A), and then remove the cover.



D: ASSEMBLY

Assemble in the reverse order of disassembly.

NOTE:

- Do not contaminate or damage the cover.
- While installing the hog rings, prevent the seat from getting wrinkled.