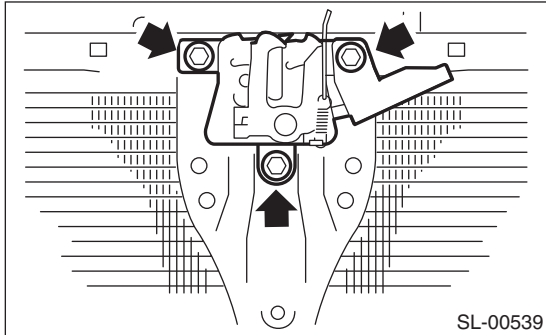


16. Front Hood Lock Assembly

A: REMOVAL

- 1) Open the front hood.
- 2) Remove the front grille.
- 3) Remove the bolts, and then detach the front hood lock assembly.
- 4) Remove the release cable from lock assembly.



B: INSTALLATION

Install in the reverse order of removal.

Tightening torque:

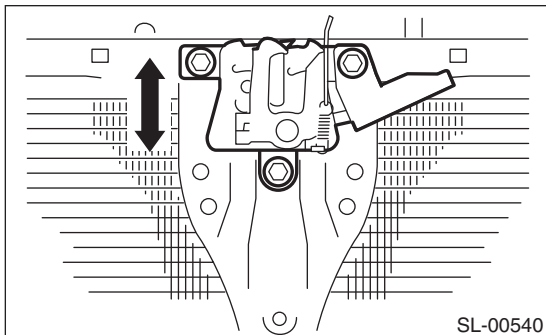
33 N·m (3.4 kgf·m, 24.6 ft·lb)

NOTE:

- Apply grease to the movable part.
- Make sure the release cable works properly after installation.

C: ADJUSTMENT

Loosen the bolt, and adjust the lock assembly while moving it up and down.



D: INSPECTION

- 1) Check that there is no deformation or uneven wear in the striker.
- 2) Check the safety lever for improper movement.
- 3) Check other levers and the spring for rust formation and unsmooth movement.