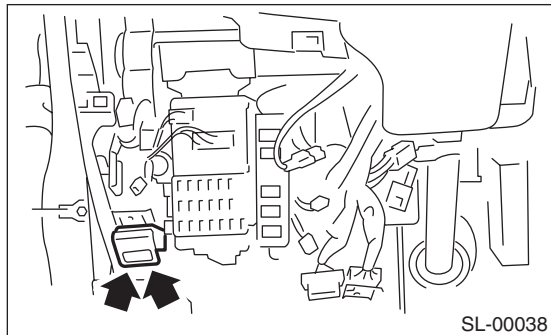


17. Remote Openers

A: REMOVAL

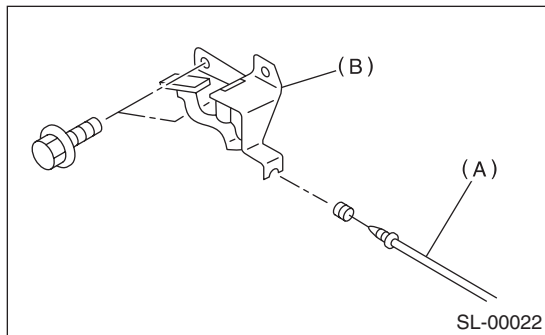
1. FRONT HOOD OPENER

- 1) Remove the hood lock assembly. <Ref. to SL-40, REMOVAL, Front Hood Lock Assembly.>
- 2) Remove the release cable from hood lock.
- 3) Remove the bolt, and then detach the opener lever.

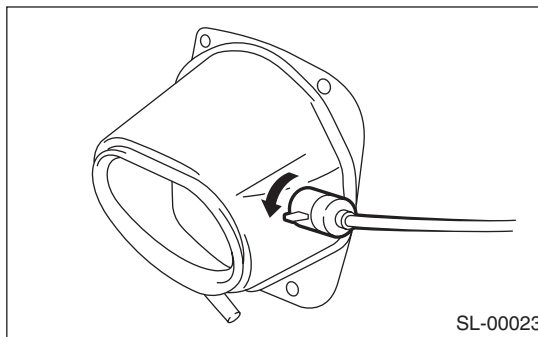


2. FUEL FLAP OPENER

- 1) Remove the rear seat. <Ref. to SE-17, REMOVAL, Rear Seat.>
- 2) Remove the center pillar lower trim and side sill cover. Remove the rear pillar lower trim. Remove the floor mat.
- 3) Remove the rear quarter trim RH. <Ref. to EI-44, REMOVAL, Rear Quarter Trim.>Remove the clip holding cable (A).
- 4) Remove the bolt, and then detach the opener pull handle (B).
- 5) Remove the cable (A) from opener pull handle (B).



- 6) Rotate the fuel lock inside the quarter panel to the left and remove.



B: INSTALLATION

1. FRONT HOOD OPENER

Install in the reverse order of removal.

2. FUEL FLAP OPENER

Install in the reverse order of removal.

Tightening torque:

7.5 N·m (0.76 kgf-m, 5.5 ft-lb)

C: INSPECTION

Make sure the fuel flap opens and closes smoothly.