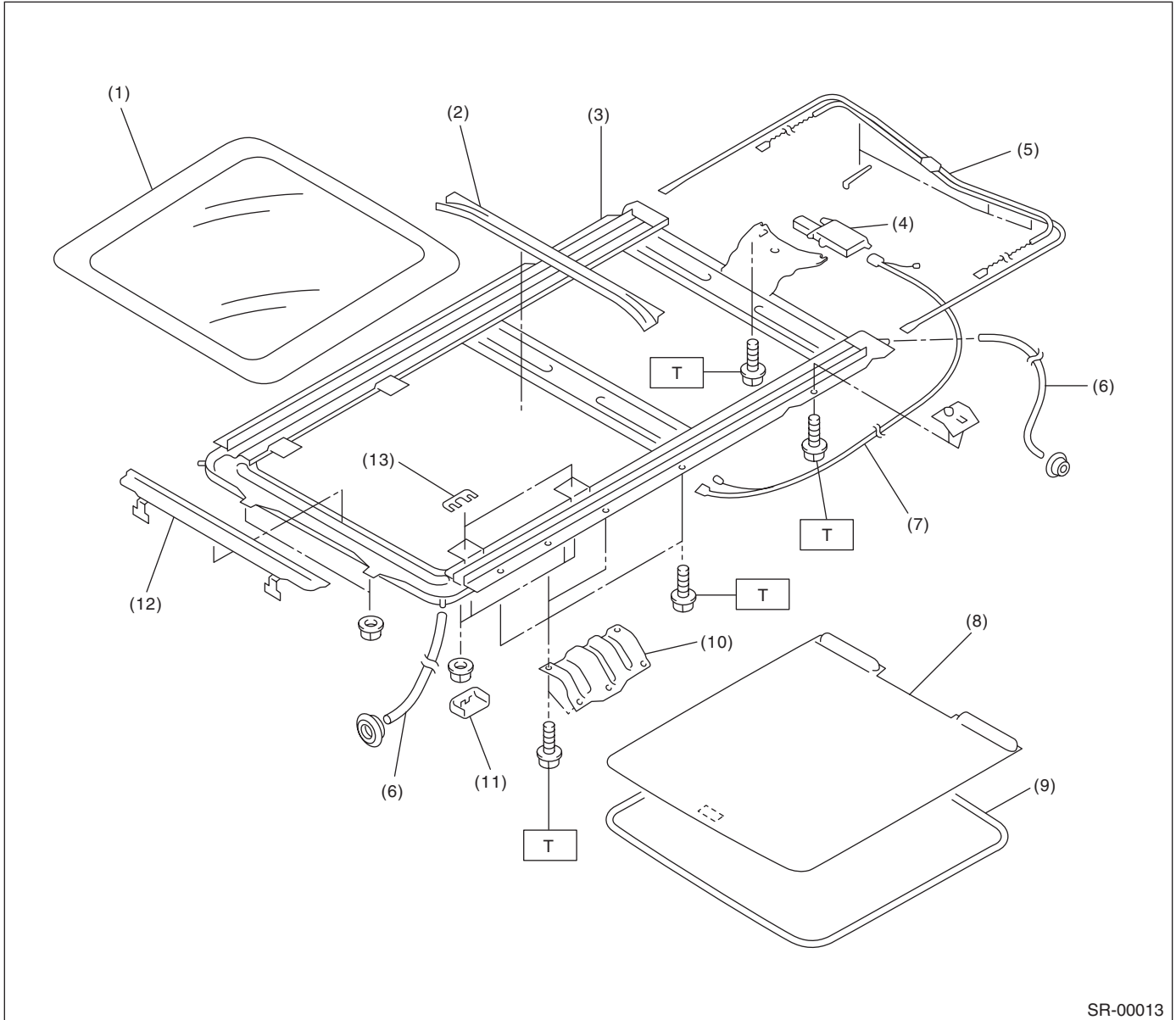


General Description

SUNROOF/T-TOP/CONVERTIBLE TOP (SUNROOF)

1. General Description

A: COMPONENT



SR-00013

- (1) Sunroof lid
- (2) Rear drain ASSY
- (3) Sunroof frame
- (4) Sunroof motor
- (5) Drive unit
- (6) Drain tube

- (7) Harness
- (8) Sunshade
- (9) Garnish
- (10) Frame bracket
- (11) Cover

- (12) Deflector
- (13) Shim

Tightening torque: N·m (kgf·m, ft·lb)

T: 7.4 (0.75, 5.4)

General Description

SUNROOF/T-TOP/CONVERTIBLE TOP (SUNROOF)

B: CAUTION

- Before disassembling or reassembling parts, always disconnect the battery ground cable from battery. When replacing the radio, control unit, and other parts provided with memory functions, record the memory contents before disconnecting the battery ground cable in order to prevent memory deletion.
- Reassemble the parts in the reverse order of disassembly unless otherwise indicated.
- Adjust parts to the given specifications.
- Connect the connectors and hoses securely during reassembly.
- After reassembly, make sure functional parts operate smoothly.

C: PREPARATION TOOL

1. GENERAL TOOL

TOOL NAME	REMARKS
Circuit tester	Used for measuring resistance and voltage.