

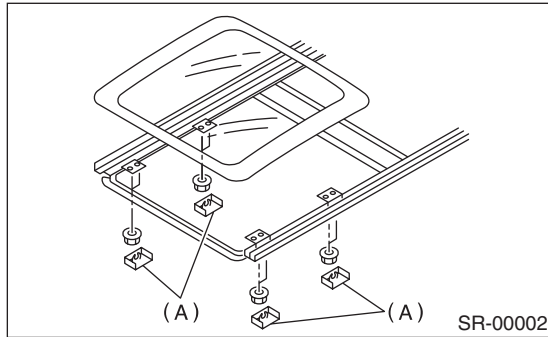
# Sunroof Lid

SUNROOF/T-TOP/CONVERTIBLE TOP (SUNROOF)

## 3. Sunroof Lid

### A: REMOVAL

- 1) Completely close the sunroof lid, and then open the sunshade.
- 2) Remove the four covers (A), and then remove the eight nuts.



- 3) Remove the sunroof lid carefully.

### B: INSTALLATION

Install in the reverse order of removal.

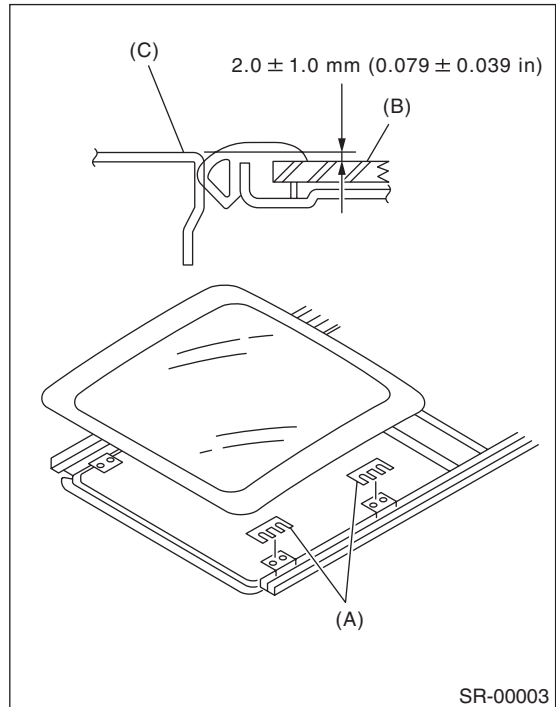
## C: ADJUSTMENT

### 1. ALIGNMENT OF HEIGHT BETWEEN SUNROOF LID AND ROOF PANEL

Loosen the sunroof lid nuts, and then adjust the height by adding (max: four pieces) or extracting (min: zero pieces) shims (normally two pieces) which are installed between the sunroof lid and the roof panel.

***Difference of height between sunroof lid and roof panel:***

***2.0±1.0 mm (0.079±0.039 in)***



- (A) Shim
- (B) Sunroof lid
- (C) Roof panel