

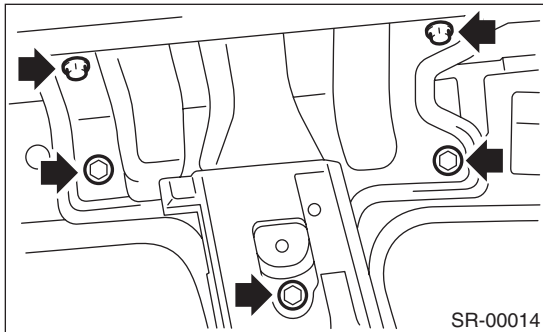
Sunroof Assembly

SUNROOF/T-TOP/CONVERTIBLE TOP (SUNROOF)

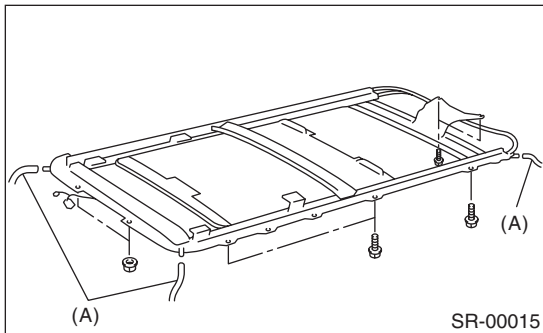
4. Sunroof Assembly

A: REMOVAL

- 1) Disconnect the ground cable from the battery.
- 2) Remove the roof trim. <Ref. to EI-46, REMOVAL, Roof Trim.>
- 3) Remove the sunroof lid. <Ref. to SR-5, REMOVAL, Sunroof Lid.>
- 4) Disconnect the four drain tubes (A) from the sunroof frame.
- 5) Disconnect the sunroof harness connector.
- 6) Remove the bolts and then remove the frame bracket.



- 7) Remove the nuts and bolts to remove the sunroof frame.



B: INSTALLATION

Install in the reverse order of removal.

CAUTION:

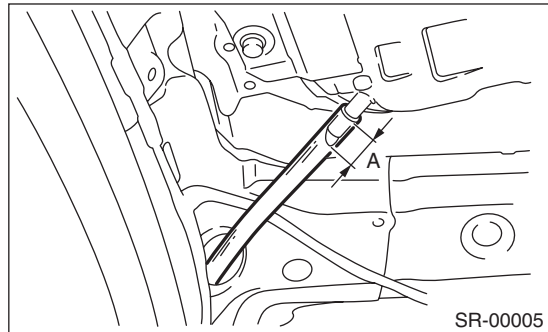
Be careful not to snag the harness.

NOTE:

- Be sure to connect the harness connector.
- When installing the drain tube, insert it securely into drain pipe.

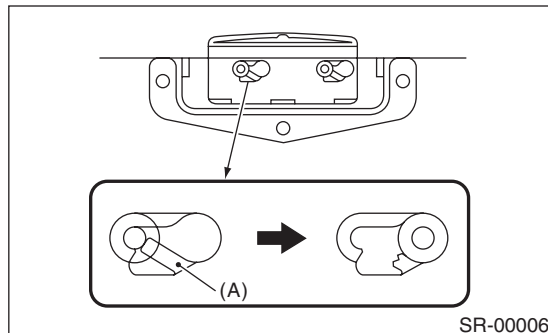
Length A:

15 mm (0.59 in) or more

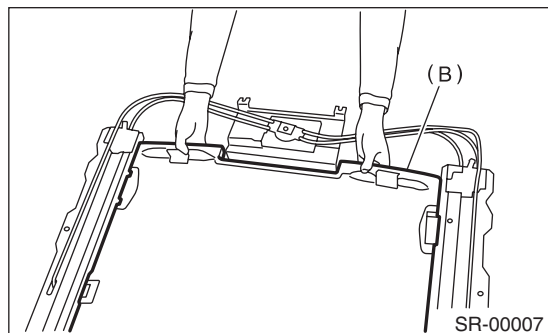


C: DISASSEMBLY

- 1) Remove the sunroof frame.
- 2) Cut the right front side sunshade claw (A).
- 3) Remove the right front slider.



- 4) Pull out the sunshade (B) from sunroof frame.



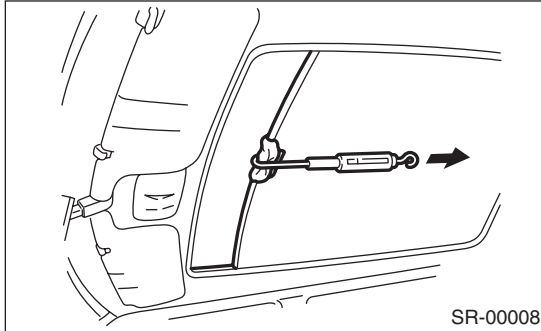
D: ASSEMBLY

Assemble in the reverse order of disassembly.

E: INSPECTION

1. CHECK FOR MOVING LOAD OF SUNSHADE

1) Attach a spring balance to sunshade edge using a cloth.



2) Pull the spring balance to measure moving load of the sunshade.

Moving load of sunshade:

Less than 25 N (2.5 kgf, 5.5 lb)

NOTE:

Moving load is larger at the beginning of pulling a spring balance, so take a spring balance reading while sunshade sliding smoothly.

3) If moving load exceeds specifications, check the sunroof lid, sunshade, deflector and sunroof frame for improper installation.