

# Wiper Blade

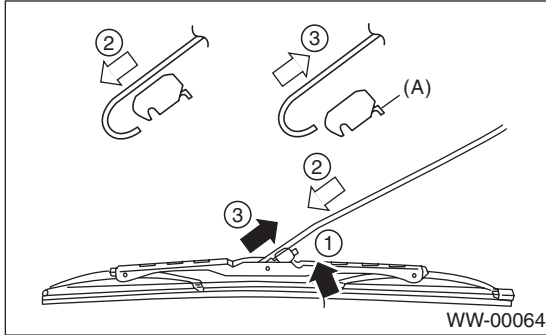
## WIPER AND WASHER SYSTEMS

### 4. Wiper Blade

#### A: REMOVAL

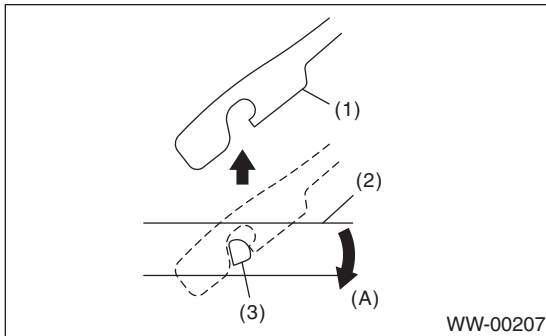
##### 1. FRONT

While pushing the locking clip (A) up, pull out the blade assembly to the direction of the arrow and remove it from the wiper arm.



##### 2. REAR

Turn the blade in the direction of arrow (A) and remove it from arm.



- (A) Turn the wiper blade.
- (1) Wiper arm
- (2) Wiper blade
- (3) Wiper blade attachment section

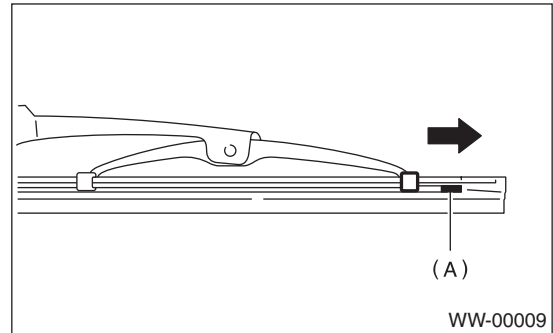
#### B: INSTALLATION

- 1) Install in the reverse order of removal.
- 2) Confirm that the clip is locked securely.

#### C: DISASSEMBLY

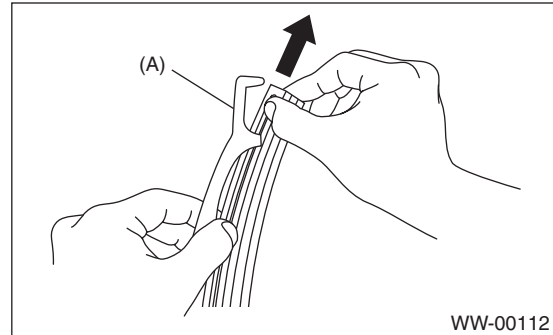
##### 1. FRONT

Pull side (A) of the wiper rubber stopper and remove the rubber from the blade assembly.



##### 2. REAR

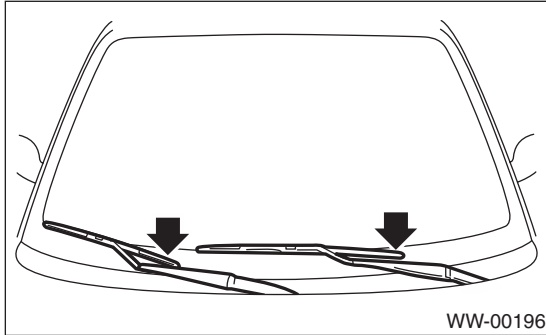
Pull the wiper rubber top slightly from stopper (A) and pull out completely.



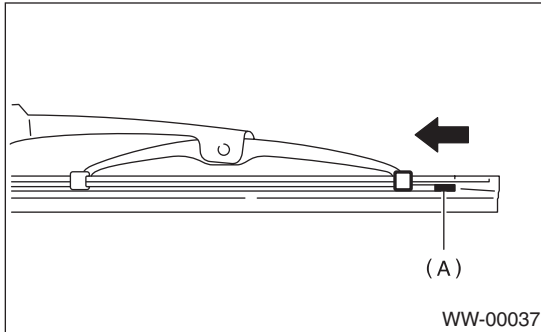
### D: ASSEMBLY

#### 1. FRONT

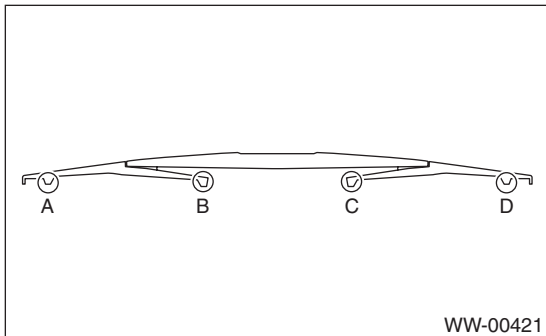
1) Insert the wiper rubber onto the blade so that the stopper is in the position shown.



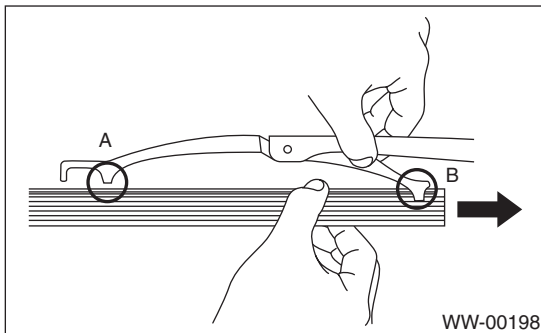
2) Make sure the wiper rubber is securely fastened to the pull stopper (A).



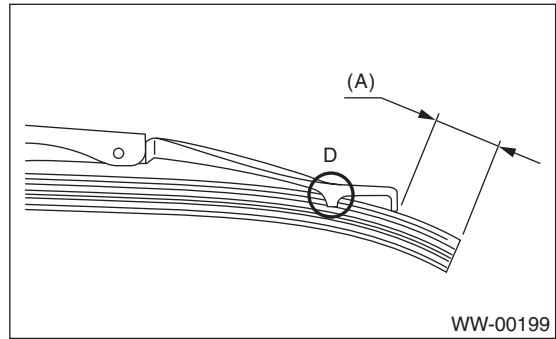
#### 2. REAR



1) Insert the wiper rubber into claw (B).

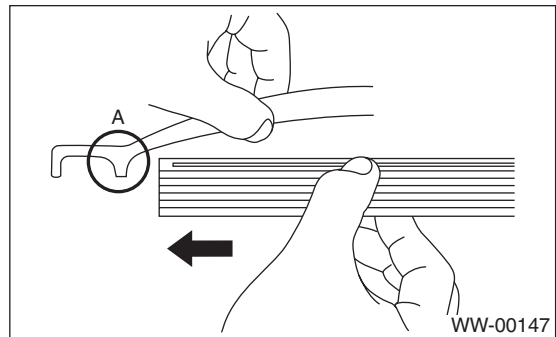


2) Insert the wiper rubber until its top end protrudes approx. 20 mm (0.79 in) from stopper (D).



(A) 20 mm (0.79 in)

3) Insert the wiper rubber into claw (A).



### E: INSPECTION

1) When the wiper does not operate properly, inspect the following item.

- Make sure the movable part of blade assembly moves smoothly.
- Make sure the wiper rubber is not deformed or damaged.

2) Replace with a new part if damage is found.