

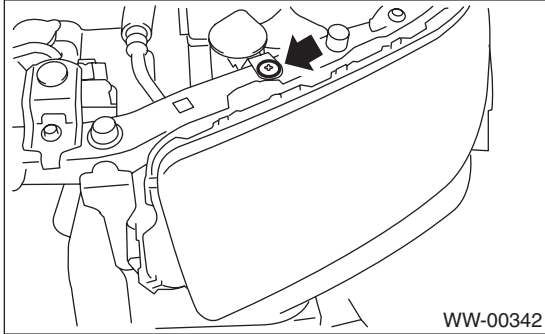
Washer Tank and Motor

WIPER AND WASHER SYSTEMS

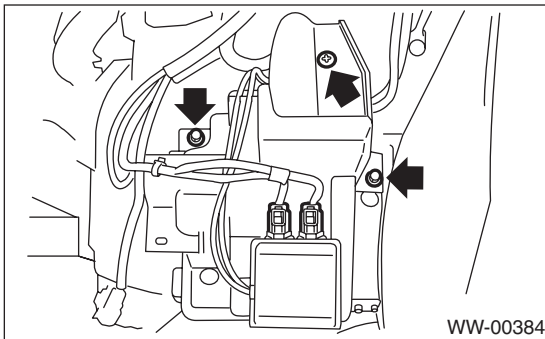
5. Washer Tank and Motor

A: REMOVAL

- 1) Open the front hood.
- 2) Disconnect the ground cable from the battery.
- 3) Remove the front bumper. <Ref. to EI-21, REMOVAL, Front Bumper.>
- 4) Remove the clip holding washer water supply tap.



- 5) Remove three bolts, hose and connector, and then remove the washer tank.



B: INSTALLATION

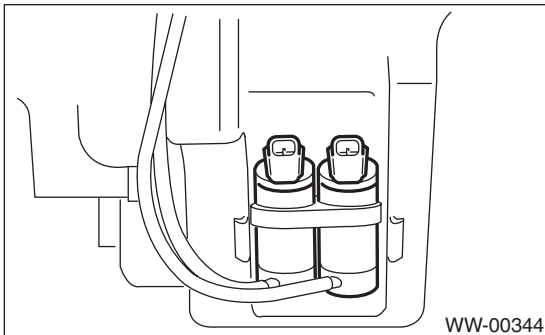
Install in the reverse order of removal.

Tightening torque:

6.0 N·m (0.61 kgf-m, 4.4 ft-lb)

C: DISASSEMBLY

Pull out the washer motor from tank.



D: ASSEMBLY

- 1) Assemble in the reverse order of disassembly.
- 2) Confirm that water does not leak from installation area of motor.

E: INSPECTION

Apply battery voltage to the connector terminal of the washer motor and make sure the motor operates.

