

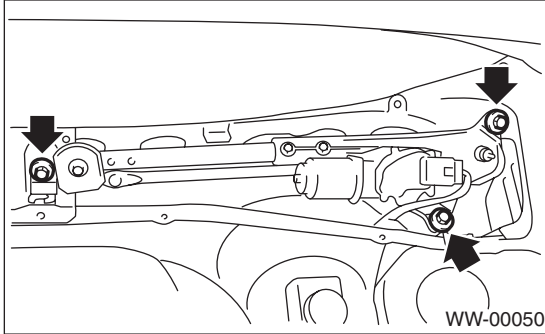
Front Wiper Motor and Link

WIPER AND WASHER SYSTEMS

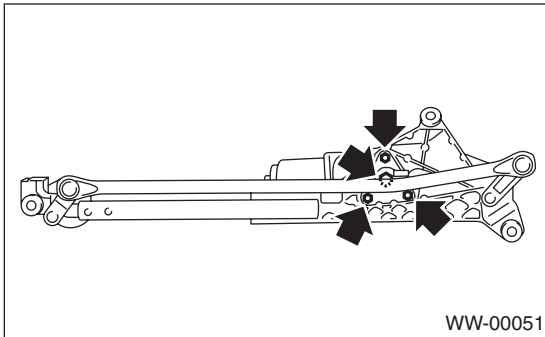
7. Front Wiper Motor and Link

A: REMOVAL

- 1) Disconnect the ground cable from the battery.
- 2) Remove the cowl panel. <Ref. to EI-31, REMOVAL, Cowl Panel.>
- 3) Disconnect the connector of motor.
- 4) Loosen the bolts and nuts to remove the wiper link.

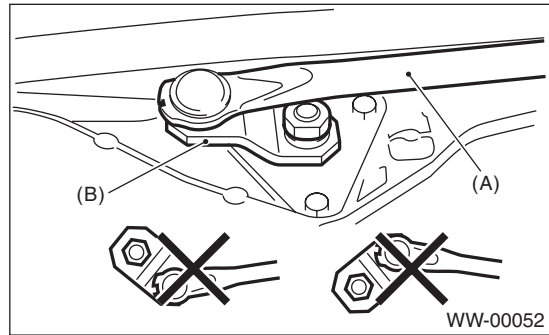


- 5) Loosen the bolts and nuts to remove the motor.



B: INSTALLATION

- 1) Install the wiper link to the vehicle, then connect the motor connector.
- 2) Connect the ground cable to the battery.
- 3) To confirm that the motor is at the auto stop position, connect the harness to the motor and turn the wiper switch ON/OFF once.
- 4) Disconnect the ground cable from the battery.
- 5) Tighten the nut where rod (A) and link plate (B) is aligned in a straight line.



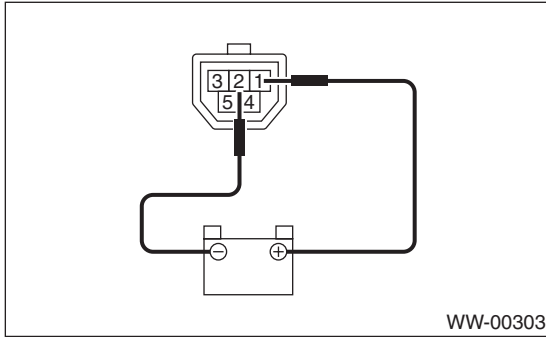
- 6) Install in the reverse order of removal.

Tightening torque:

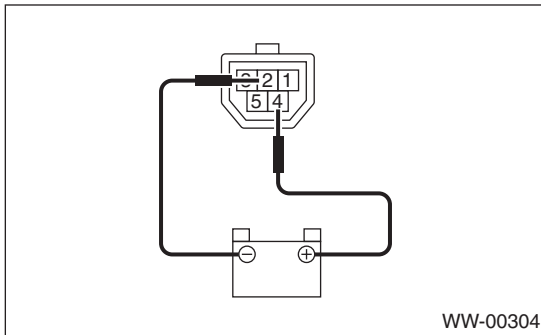
Refer to "COMPONENT" of "General Description". <Ref. to WW-2, FRONT WIPER, COMPONENT, General Description.>

C: INSPECTION

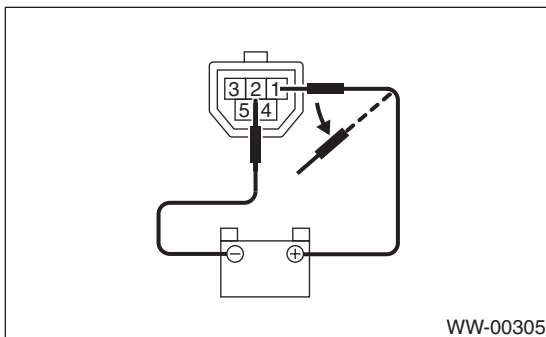
1) When the battery is connected to the terminal of connectors as shown in the figure, confirm that the motor operates at low speed.



2) When the battery is connected to the terminal of connectors as shown in the figure, confirm that the wiper motor operates at high speed.



3) Connect the battery to terminals of the connector, and remove the terminal connection with motor rotating at low speed, and stop the wiper motor in mid-operation.



4) Connect the battery and confirm that the motor stops at the automatic stop position after the motor operates at low speed again.

