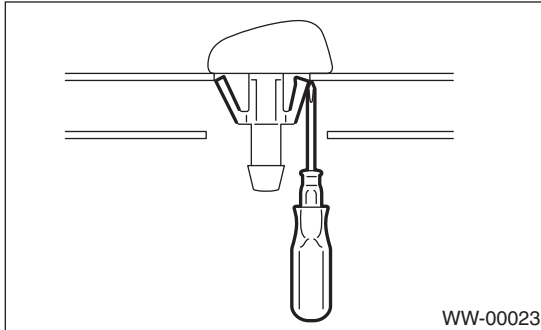


### 8. Front Washer Nozzle

#### A: REMOVAL

- 1) Remove the washer hose from the washer nozzle.
- 2) Open the clips on the underside of the front hood with a thin screwdriver or other tool, and remove the washer nozzle.



#### B: INSTALLATION

Install in the reverse order of removal.

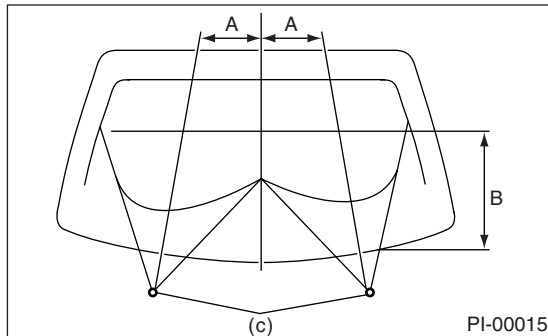
#### C: INSPECTION

- Make sure the nozzle and hose are not clogged.
- Make sure the hose is not bent.
- It is not possible to adjust the ejection position of the washer liquid because it is the scatter nozzle.
- If the spray position is largely different from the position shown as follows, replace the washer nozzle.

#### *In ejection position:*

**A: 250 mm (9.84 in)**

**B: 345 mm (13.58 in)**



(C) Nozzle