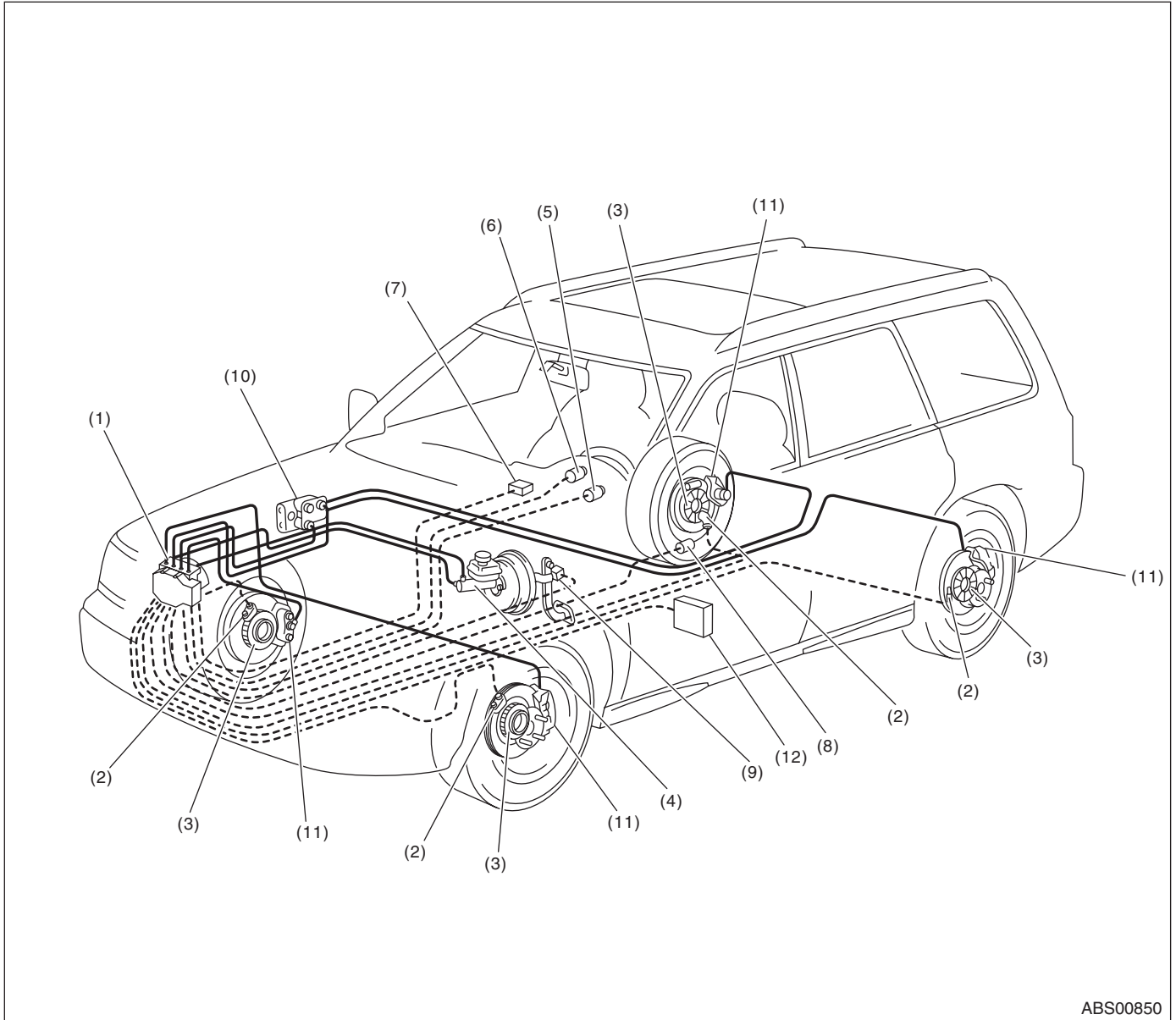


Electrical Component Location

ABS (DIAGNOSTICS)

4. Electrical Component Location

A: LOCATION



ABS00850

- | | | |
|---------------------------------------------------------------|---------------------------------------------|------------------------------------------------------|
| (1) ABS control module and hydraulic control unit (ABSCM&H/U) | (6) Brake warning light (EBD warning light) | (10) Proportioning valve (Model without EBD) |
| (2) ABS wheel speed sensor | (7) Data link connector | (11) Caliper body |
| (3) Tone wheel | (8) G sensor | (12) Transmission control module (for AT model only) |
| (4) Master cylinder | (9) Stop light switch | |
| (5) ABS warning light | | |

Electrical Component Location

ABS (DIAGNOSTICS)

