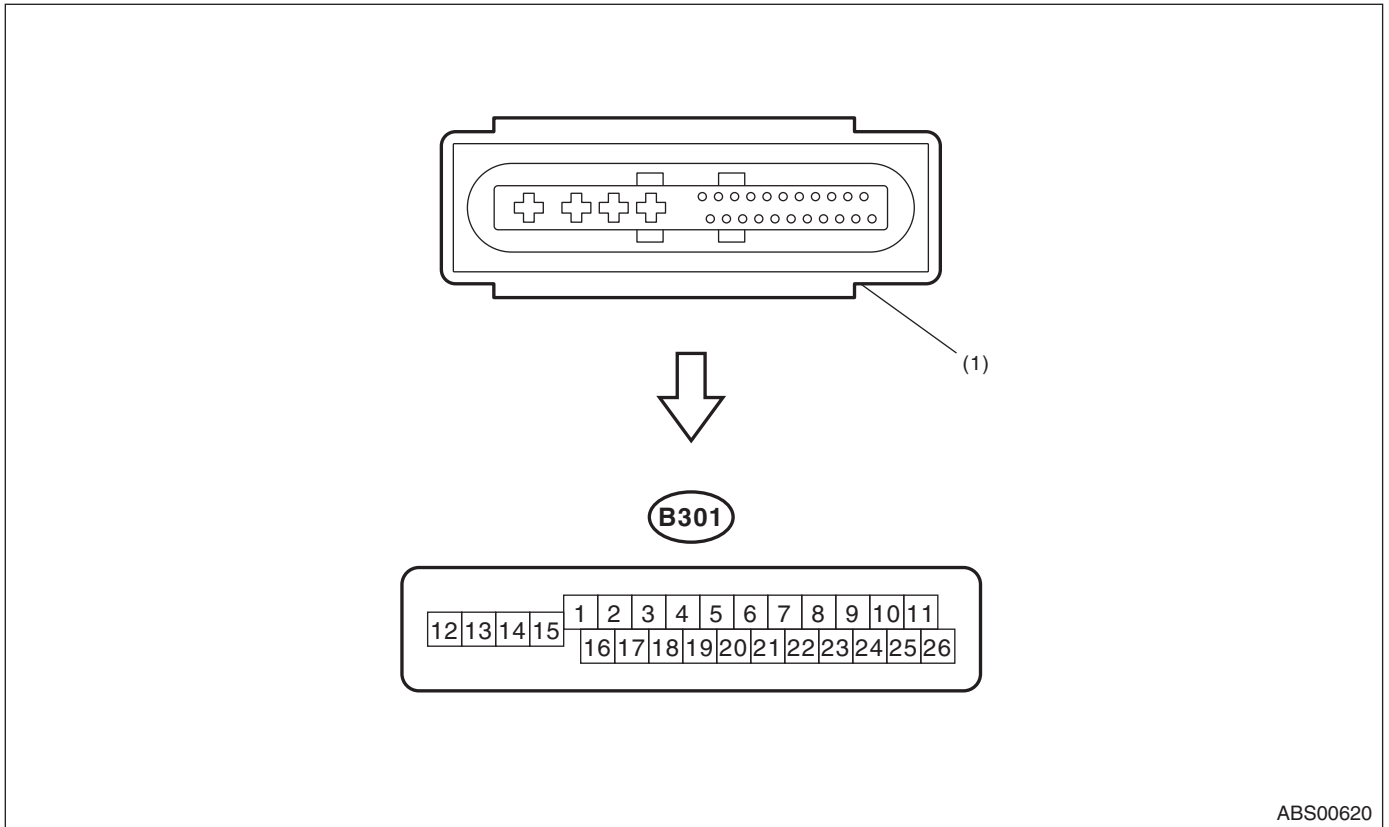


Control Module I/O Signal

ABS (DIAGNOSTICS)

5. Control Module I/O Signal

A: ELECTRICAL SPECIFICATION



ABS00620

- (1) ABS control module and hydraulic control unit (ABSCM&H/U) connector

NOTE:

- Terminal numbers in ABSCM&H/U connector are shown in the figure.
- ABS warning light illuminates when the connector is removed from ABSCM&H/U.

Control Module I/O Signal

ABS (DIAGNOSTICS)

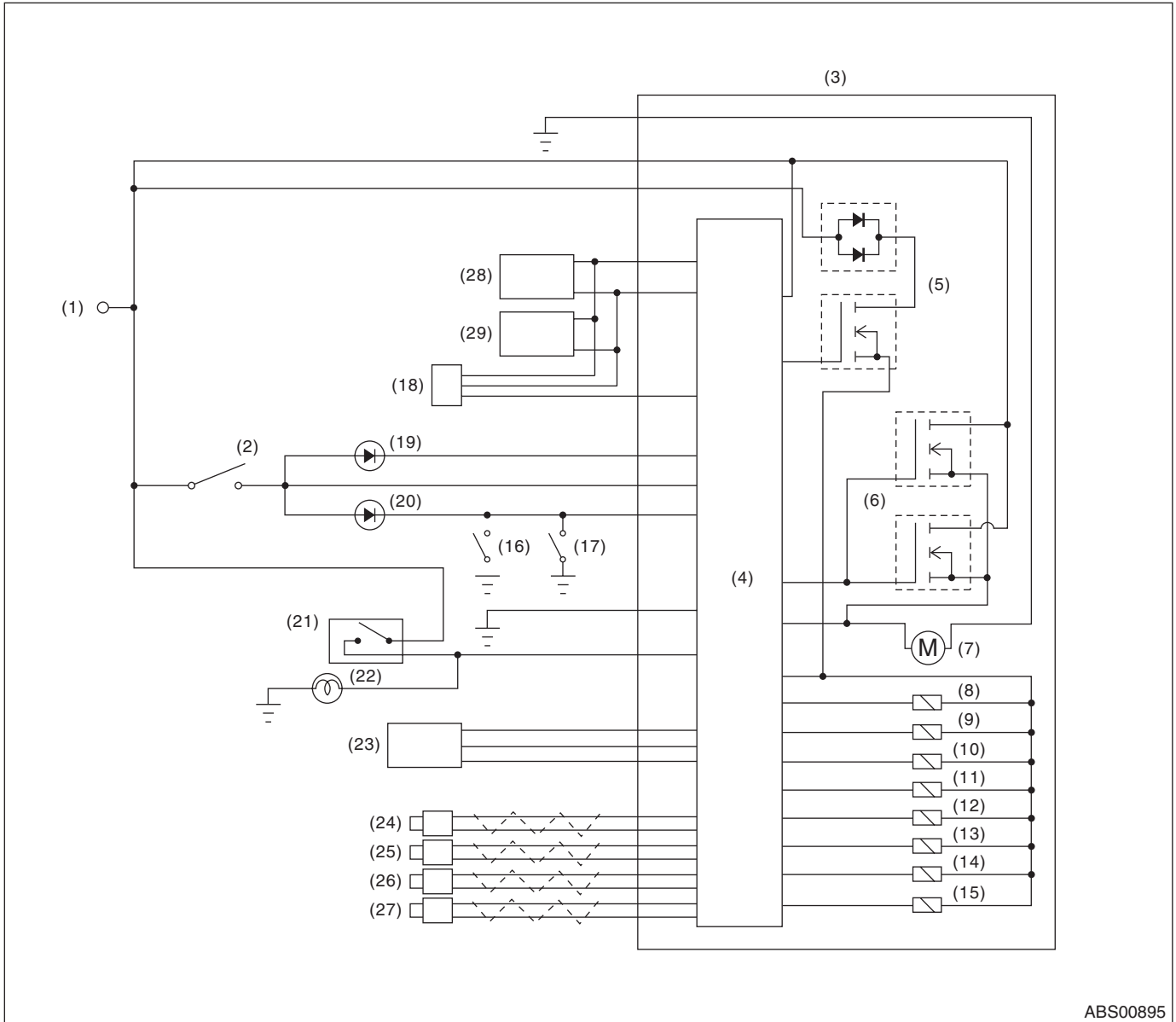
Description		Terminal No. (+) — (-)	Input/Output signal
ABS wheel speed sensor (Wheel speed sensor)	Front LH wheel	1 — 16	0.12 — 1 V (at 20 Hz)
	Front RH wheel	6 — 5	
	Rear LH wheel	3 — 2	
	Rear RH wheel	19 — 4	
CAN communication circuit (+) (for AT models only)		26	2.5 — 1.5 V pulse signal
CAN communication circuit (-) (for AT models only)		11	3.5 — 2.5 V pulse signal
Valve relay power supply *1		14 — 15	10 — 15 V
Motor relay power supply *1		13 — 15	10 — 15 V
G Sensor	Power supply	24 — 10	4.75 — 5.25 V
	Ground	10	—
	Output	21 — 10	2.1 — 2.5 V when the vehicle is on level surface
Stop light switch *1		20 — 15	Less than 1.5 V when the stop light is OFF; otherwise, 10 — 15 V when the stop light is ON.
ABS warning light		22 — 15	After turning the ignition switch ON, 10 — 15 V during 1.5 seconds and less than 1.5 V after 1.5 seconds passed.
Brake warning light (EBD warning light)		8 — 15	After turning the ignition switch ON, 10 — 15 V during 1.5 seconds and less than 1.5 V after 1.5 seconds passed.
Subaru Select Monitor		7 — 15	Less than 1.5 V when no data is received. 0 ↔ 12 V pulse (in communication)
Power supply *1		18 — 15	10 — 15 V when the ignition switch is ON.
Grounding line		15	—

*1: Measure the I/O signal voltage after removing the connector from the ABSCM&H/U terminal.

Control Module I/O Signal

ABS (DIAGNOSTICS)

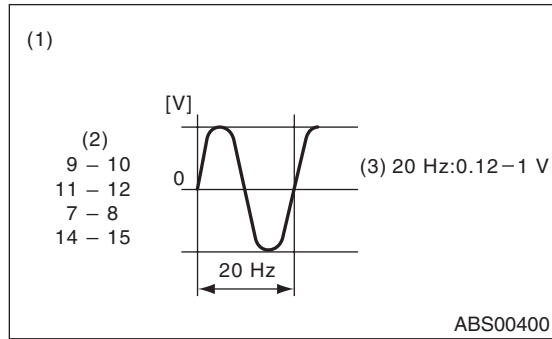
B: WIRING DIAGRAM



ABS00895

- | | | |
|---|-------------------------------------|--|
| (1) Battery | (11) Front outlet solenoid valve RH | (21) Stop light switch |
| (2) Ignition switch | (12) Rear inlet solenoid valve LH | (22) Stop light |
| (3) ABS control module and hydraulic control unit (ABSCM&H/U) | (13) Rear outlet solenoid valve LH | (23) G Sensor |
| (4) ABS control module | (14) Rear inlet solenoid valve RH | (24) Front ABS wheel speed sensor LH |
| (5) Valve relay | (15) Rear outlet solenoid valve RH | (25) Front ABS wheel speed sensor RH |
| (6) Motor relay | (16) Parking brake switch | (26) Rear ABS wheel speed sensor LH |
| (7) Motor | (17) Brake fluid level switch | (27) Rear ABS wheel speed sensor RH |
| (8) Front inlet solenoid valve LH | (18) Data link connector | (28) Transmission control module (AT models) |
| (9) Front outlet solenoid valve LH | (19) ABS warning light | (29) Engine control module |
| (10) Front inlet solenoid valve RH | (20) Brake warning light | |

C: WAVEFORM



- (1) ABS wheel speed sensor
- (2) Terminal No.
- (3) Standard output voltage