

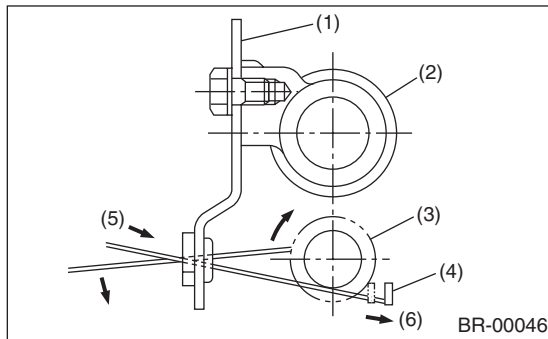
8. Rear Drum Brake Shoe

A: REMOVAL

- 1) Set the vehicle on a lift.
- 2) Loosen the wheel nuts.
- 3) Lift-up the vehicle, and then remove the rear wheels.
- 4) Release the parking brake.
- 5) Remove the brake drum from brake assembly.

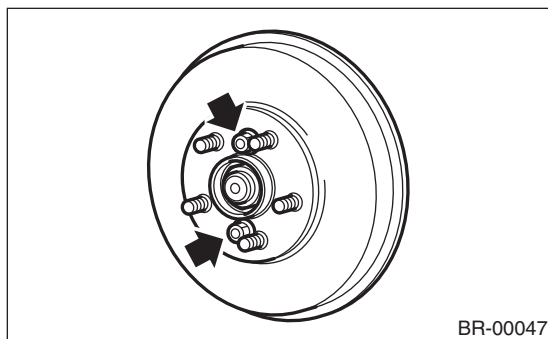
NOTE:

- If it is difficult to remove the brake drum, remove the adjusting hole cover from back plate, then turn the adjuster assembly claws using a flat tip screwdriver until the brake shoe separates from the drum.

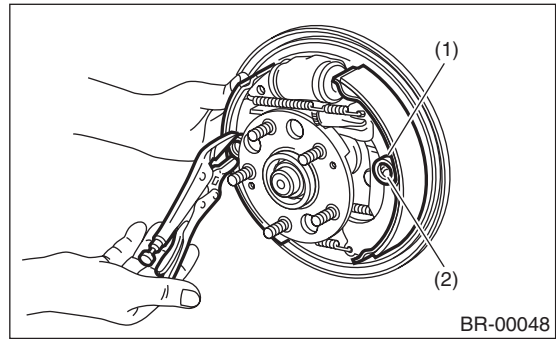


- (1) Back plate
- (2) Wheel cylinder ASSY
- (3) Adjuster ASSY claws
- (4) Adjusting lever
- (5) Tightening direction
- (6) Push direction

- If the brake drum is difficult to remove, drive it out by installing an 8-mm bolt into bolt hole in brake drum.

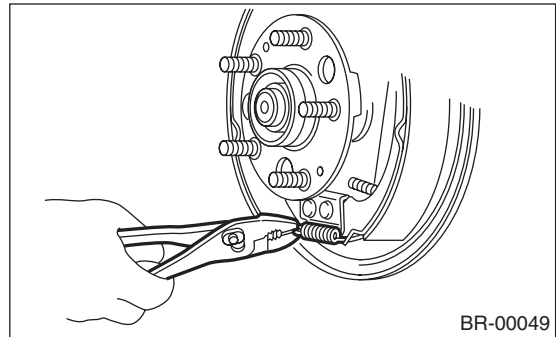


- 6) Hold the hold-down pin by securing rear of back plate with your hand.



- (1) Hold-down cup
- (2) Hold-down pin

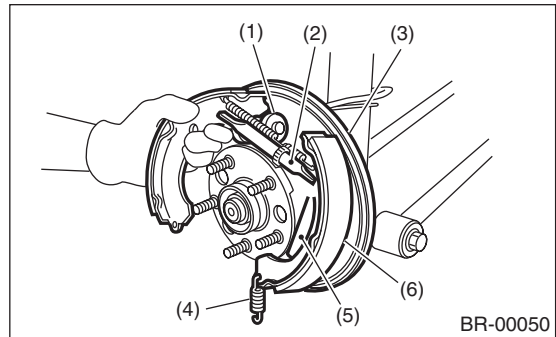
- 7) Rotate the hold down cup and remove from the hold down pin.
- 8) Disconnect the lower shoe return spring from the brake shoe.



- 9) Remove each brake shoe along with the adjuster from the back plate.

CAUTION:

Be careful not to excessively bend the parking brake cable when removing the brake shoes.

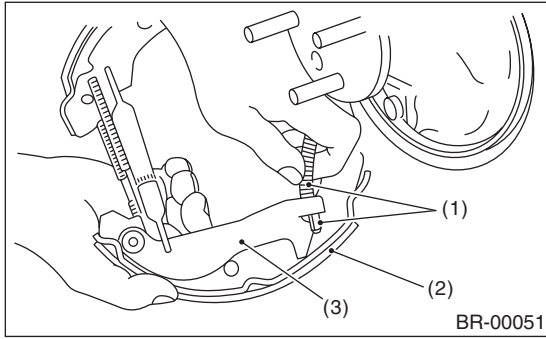


- (1) Wheel cylinder ASSY
- (2) Adjuster ASSY
- (3) Back plate
- (4) Lower shoe return spring
- (5) Parking lever
- (6) Brake shoe (Trailing)

Rear Drum Brake Shoe

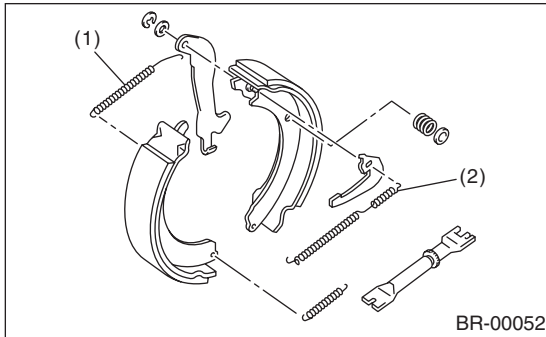
BRAKE

10) Disconnect the parking brake cable from the parking brake lever.



- (1) Parking brake cable
- (2) Brake shoe (Trailing)
- (3) Parking brake lever

11) Remove the upper shoe return spring and adjusting spring from the brake shoe.



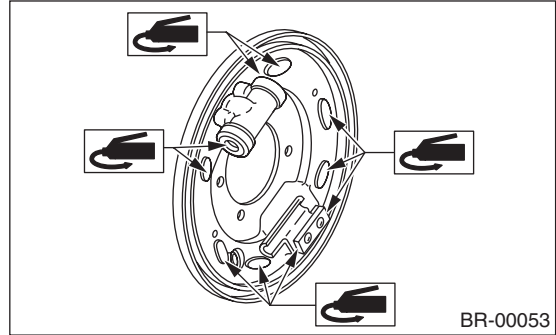
- (1) Upper shoe return spring
- (2) Adjusting spring

B: INSTALLATION

- 1) Clean the back plate and wheel cylinder assembly.
- 2) Apply grease to the portions indicated by arrows in the figure.

Brake grease:

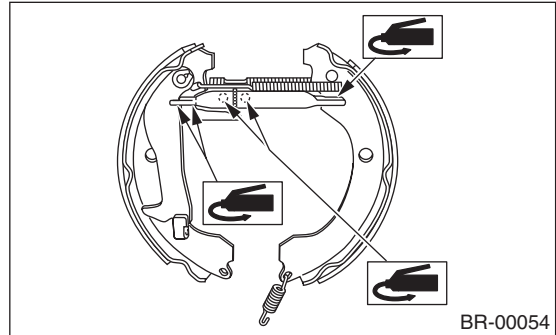
Dow Corning Molykote M 7439 (Part No. 003602001)



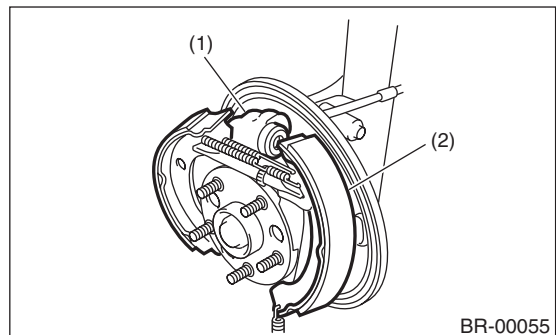
- 3) Apply grease to the adjusting screw and both ends of adjuster.

Brake grease:

Dow Corning Molykote M 7439 (Part No. 003602001)



- 4) Attach the upper shoe return spring to the brake shoe.
- 5) Connect the parking brake cable to the parking brake lever.
- 6) While positioning the brake shoe (one at a time) in the groove of the wheel cylinder, secure the brake shoe in place.



- (1) Wheel cylinder ASSY
- (2) Brake shoe (Trailing)

- 7) Fix the shoes in place by connecting the hold-down cup to the hold-down pin.
- 8) Install the lower shoe return spring.
- 9) Set the outside diameter of brake shoes 0.5 to 0.8 mm (0.020 to 0.031 in) smaller in comparison with the inside diameter of the brake drum.

C: INSPECTION

- 1) Measure the lining thickness. If it exceeds the service limit, replace the brake shoe with a new part.

Lining thickness

Standard:

4.1 mm (0.161 in)

Service limit:

1.5 mm (0.059 in)

- 2) If the deformation or wear of back plate, shoe, etc. are severe, replace them.
- 3) If the tension of the shoe return spring is very low, replace it. Be careful not to confuse the upper and lower shoe return springs.