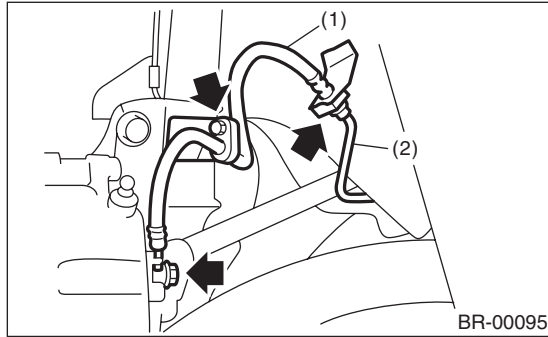


## 15. Brake Hose

### A: REMOVAL

#### 1. FRONT BRAKE HOSE

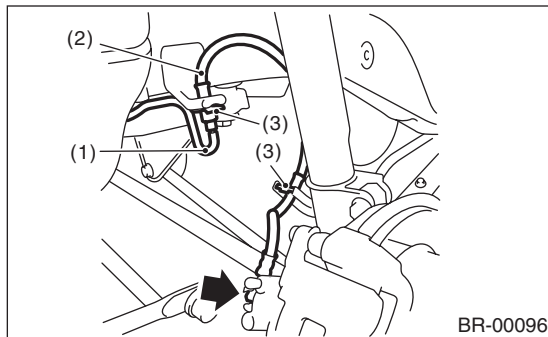
- 1) Separate the brake pipe from the brake hose using a flare nut wrench.
- 2) Remove the clamp, strut mount bolts and union bolt.



- (1) Brake hose
- (2) Brake pipe

#### 2. REAR BRAKE HOSE (DISC BRAKE)

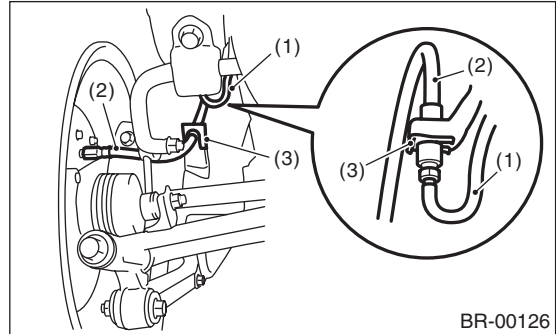
- 1) Separate the brake pipe from the brake hose using a flare nut wrench.
- 2) Remove the clamp and union bolt.



- (1) Brake pipe
- (2) Brake hose
- (3) Brake hose clamp

#### 3. REAR BRAKE HOSE (DRUM BRAKE)

- 1) Separate the brake pipe from the brake hose using a flare nut wrench.
- 2) Remove the two clamps.
- 3) Disconnect the brake hose from the wheel cylinder.



- (1) Brake pipe
- (2) Brake hose
- (3) Brake hose clamp

## B: INSTALLATION

### 1. FRONT BRAKE HOSE

1) Secure the brake hose to strut mount.

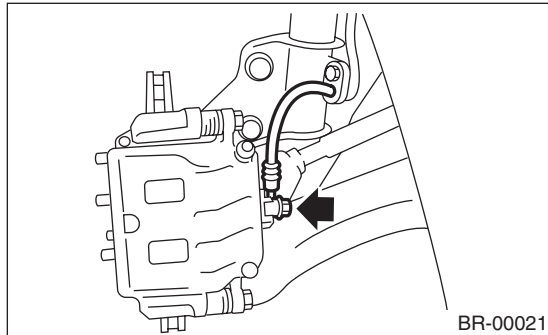
**Tightening torque:**

**32 N·m (3.3 kgf-m, 23.6 ft-lb)**

2) Install the brake hose to the caliper using new gasket.

**Tightening torque (union bolt):**

**18 N·m (1.8 kgf-m, 13.0 ft-lb)**



3) Position the disc in straight position and route the brake hose through the hole in the bracket on the wheel apron side.

#### CAUTION:

**Do not twist the brake hose.**

4) Temporarily tighten the flare nut which connects brake pipe and hose.

5) Secure the brake hose to wheel apron bracket with clamp.

6) While holding the hexagonal part of brake hose fitting with a wrench, tighten the flare nut to the specified torque.

**Tightening torque (brake pipe flare nut):**

**15 N·m (1.5 kgf-m, 10.8 ft-lb)**

7) Bleed air from brake system.

### 2. REAR BRAKE HOSE (DISC BRAKE)

1) Route the brake hose through the hole of bracket, and lightly tighten the flare nut to connect brake pipe.

2) Insert the clamp to secure brake hose.

3) Install the brake hose to caliper using new gasket.

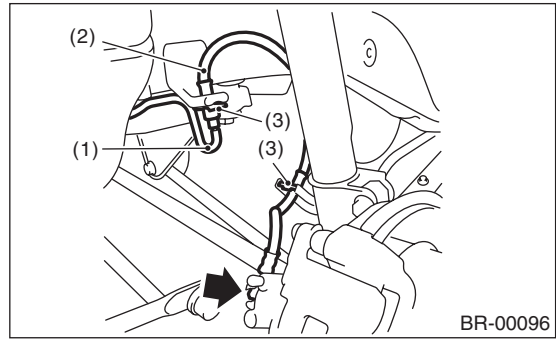
**Tightening torque (union bolt):**

**18 N·m (1.8 kgf-m, 13.0 ft-lb)**

4) While holding the hexagonal part of brake hose fitting with a wrench, tighten the flare nut to the specified torque.

**Tightening torque (brake pipe flare nut):**

**15 N·m (1.5 kgf-m, 10.8 ft-lb)**



- (1) Brake pipe
- (2) Brake hose
- (3) Brake hose clamp

5) Bleed air from the brake system.

### 3. REAR BRAKE HOSE (DRUM BRAKE)

1) Attach the brake hose to the wheel cylinder.

**Tightening torque:**

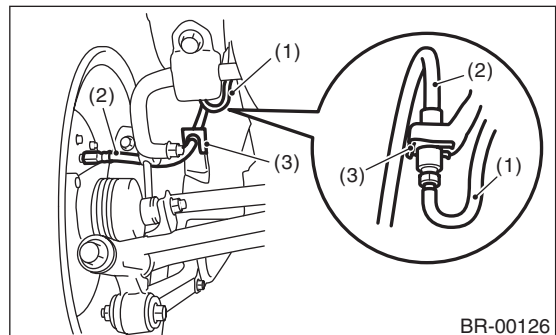
**18 N·m (1.8 kgf-m, 13.0 ft-lb)**

2) Attach the brake hose to the bracket of the strut using the clamp.

3) Route the brake hose through the bracket hole in the vehicle body, and connect to the brake pipe.

**Tightening torque:**

**15 N·m (1.5 kgf-m, 10.8 ft-lb)**



- (1) Brake pipe
- (2) Brake hose
- (3) Brake hose clamp

4) Bleed air from the brake system.

## C: INSPECTION

Ensure there are no cracks, breakage, or damage on hoses. Check the joint for fluid leakage. If any cracks, breakage, damage or leakage is found, repair or replace the hose.

#### NOTE:

Check locations that are hard to see and reverse side of parts using a mirror.