

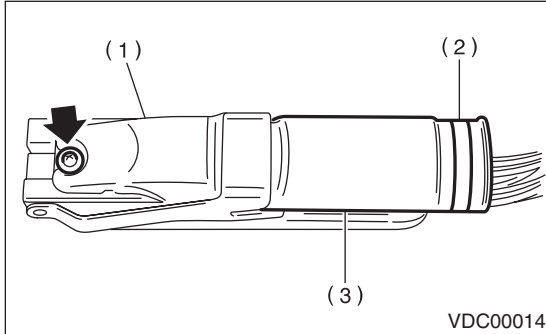
VDCCM Connector Cover

VEHICLE DYNAMICS CONTROL (VDC) (DIAGNOSTICS)

6. VDCCM Connector Cover

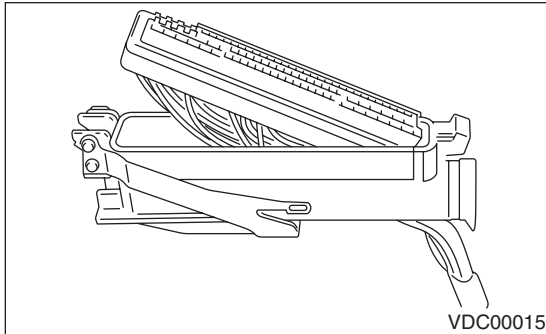
A: REMOVAL

- 1) Turn the ignition switch to OFF.
- 2) Disconnect the connectors from VDCCM.
- 3) Remove the band.
- 4) Remove the cable clamp cover.
- 5) Remove the screw securing the connector cover.



- (1) Connector cover
- (2) Band
- (3) Cable clamp cover

- 6) Remove the connector cover.

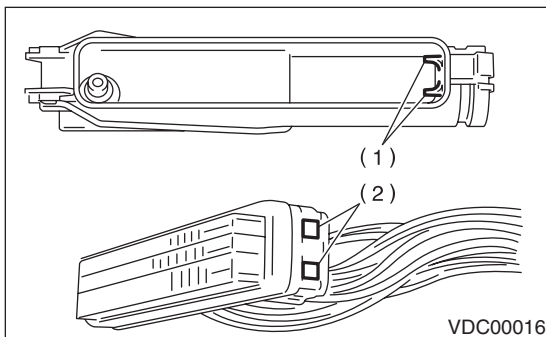


B: INSTALLATION

Install in the reverse order of removal.

NOTE:

Align the rib on the connector cover with the connector hole before installation.



- (1) Rib
- (2) Hole