

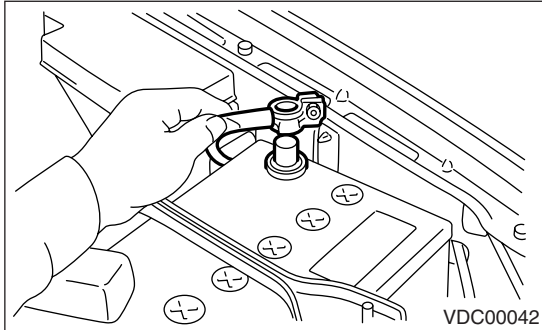
VDC Control Module (VDCCM)

VEHICLE DYNAMICS CONTROL (VDC)

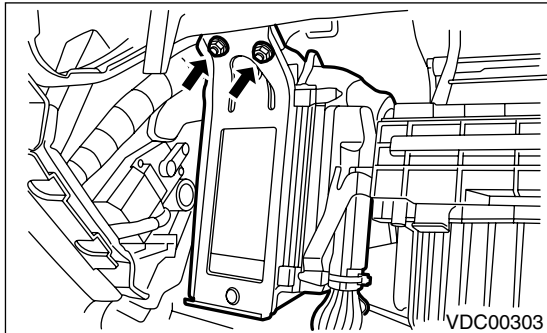
2. VDC Control Module (VDCCM)

A: REMOVAL

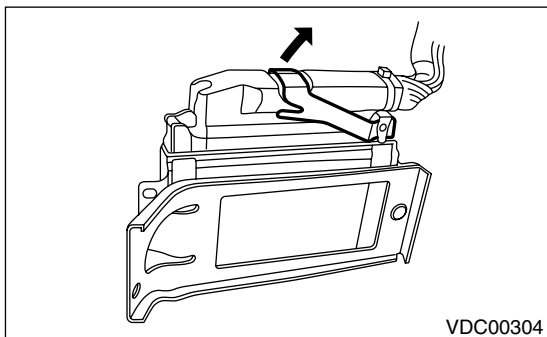
- 1) Disconnect the ground cable from battery.



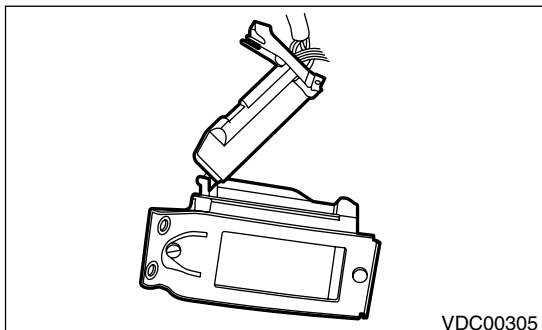
- 2) Remove the glove box.
- 3) Remove the two nuts which secures the bracket.



- 4) Disable the securing holder and disconnect the connector from VDCCM.



- 5) Remove the VDCCM.



- 6) Remove the bracket from VDCCM.

B: INSTALLATION

Install in the reverse order of removal.

Tightening torque:

Refer to "COMPONENT" of "General Description". <Ref. to VDC-5, VDC CONTROL MODULE (VDCCM), COMPONENT, General Description.>

CAUTION:

After installation, always make the following two settings.

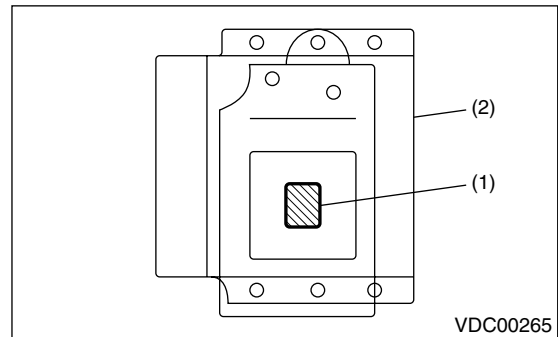
- SRS roll connector and steering angle sensor centering setting

• Yaw rate & lateral G sensor 0 point setting
These two procedures are required to make the VDCCM recognize what position the vehicle is in later. Refer to Adjustments for the procedures for above settings. <Ref. to VDC-9, ADJUSTMENT, VDC Control Module (VDCCM).>

C: INSPECTION

Check the VDCCM identification.

Refer to "SPECIFICATION" for the identification mark. <Ref. to VDC-2, SPECIFICATION, General Description.>



- (1) Identification mark
- (2) VDCCM

D: ADJUSTMENT

When the following replacement, removal and installation are performed, be sure to perform the centering setting of steering angle sensor and to set the zero point of the yaw rate & lateral G sensor.

- VDCCM
- Steering angle sensor
- Yaw rate & lateral G sensor
- Steering wheel parts (Including airbag)
- Suspension parts
- Wheel alignment adjustment

1. WITH SUBARU SELECT MONITOR

1) Park the vehicle straight on a level surface. (Place the gear in “P” or “N” range and run the engine.)

2) Check that steering wheel is positioned at the center. (When the center position is not correct, adjust the wheel alignment.)

3) Set the Subaru Select Monitor to the vehicle, and select “Set mode Str. A. Sen. N & Lat. Gsen. Op” in the “Function Check Sequence” display. (Follow the instructions on the screen.)

4) When the above work is completed, select “Current Data Display & Save” on the “Brake Control” display screen, and check that the steering angle sensor displays “0 deg.”

5) If “0 deg” is not displayed on the screen, repeat the above steps and check whether “0 deg” is displayed.

6) Drive for approximately 10 minutes, then check that the ABS warning light and VDC warning light do not light.

7) Also, when driving, repeat steps 1 to 6 if there is any unnecessary operation of the VDC (VDC indicator light or buzzer) or if steering is unnecessarily pulled by the system.