

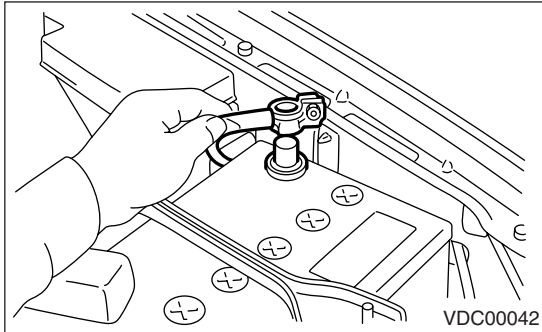
# VDC OFF Switch

VEHICLE DYNAMICS CONTROL (VDC)

## 12.VDC OFF Switch

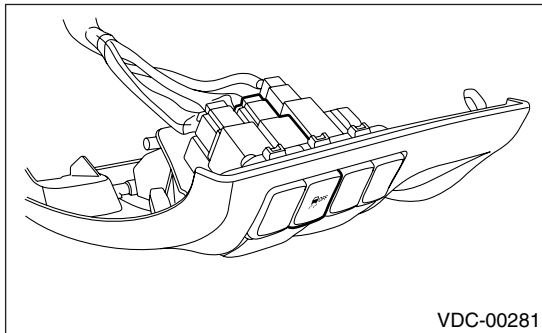
### A: REMOVAL

1) Disconnect the ground cable from battery.



2) Remove the instrument panel lower cover. <Ref. to EI-39, REMOVAL, Instrument Panel Assembly.>

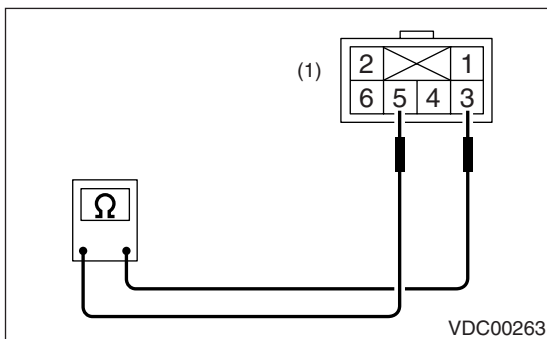
3) Disconnect the VDC OFF switch connector, push outside, and press the VDC OFF switch.



### B: INSTALLATION

Install in the reverse order of removal.

### C: INSPECTION



(1) VDC OFF switch side

Inspect the resistance between VDC OFF switch terminals.

| Switch position | Tester connection | Standard             |
|-----------------|-------------------|----------------------|
| OFF             | 3 — 5             | 1 M $\Omega$ or more |
| ON              | 3 — 5             | Less than 1 $\Omega$ |

If NG, replace the VDC OFF switch.