

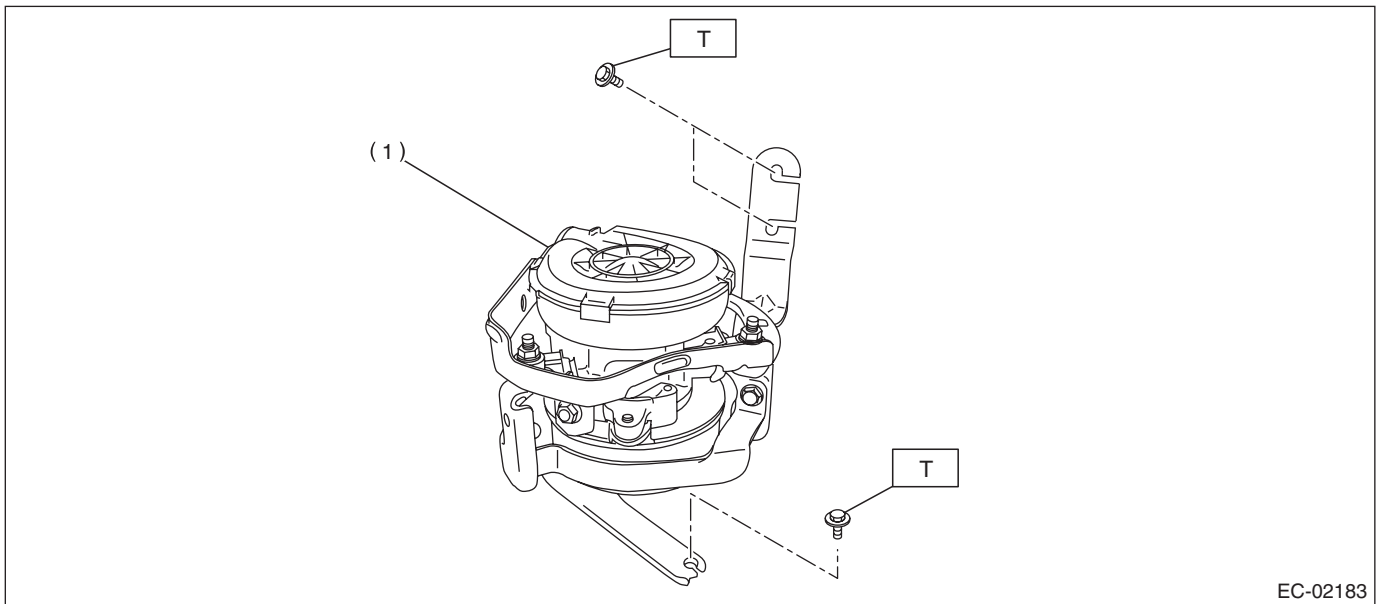
# General Description

EMISSION CONTROL (AUX. EMISSION CONTROL DEVICES)

## 1. General Description

### A: COMPONENT

#### 1. SECONDARY AIR PUMP



EC-02183

(1) Secondary air pump

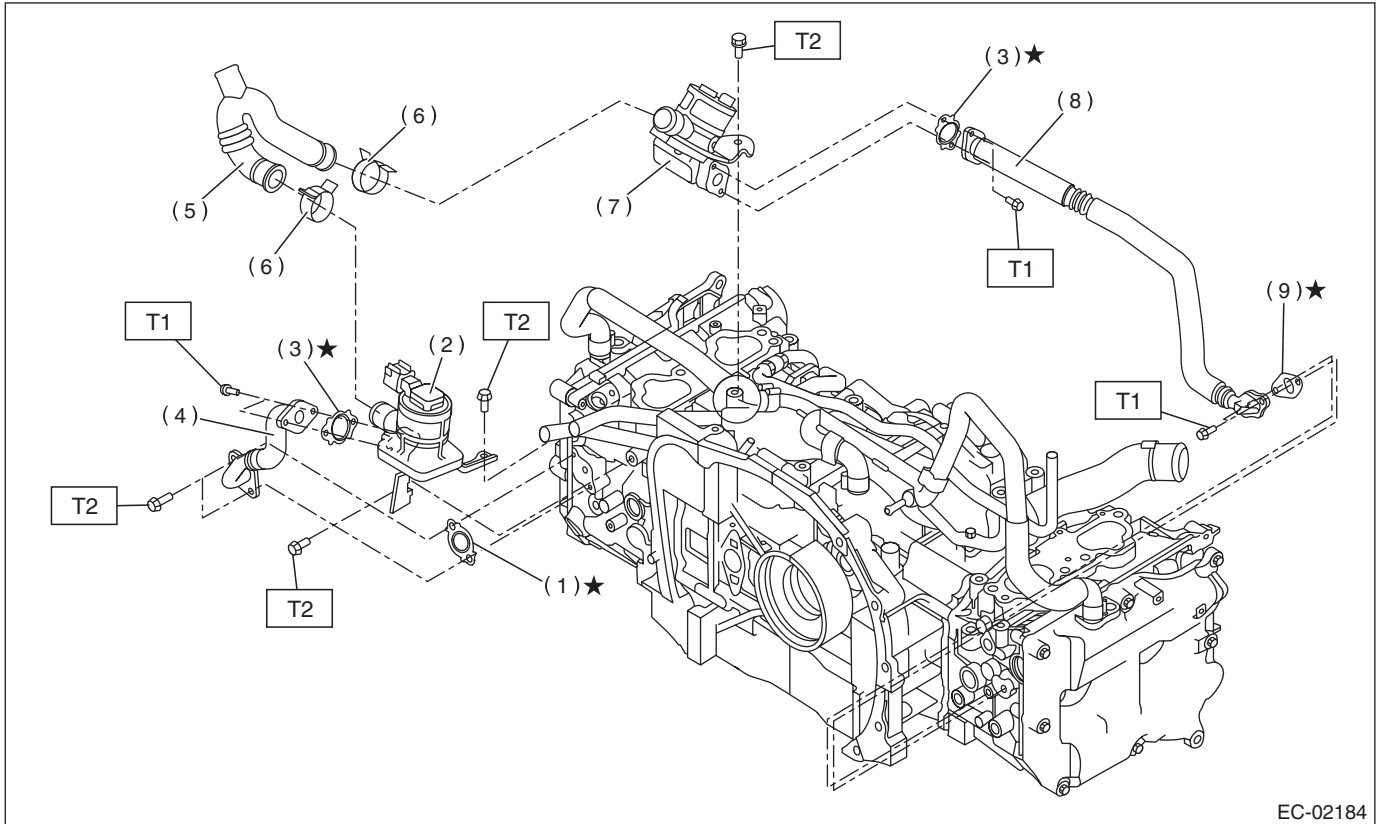
**Tightening torque: N·m (kgf·m, ft·lb)**

**T: 5 (0.5, 3.7)**

# General Description

EMISSION CONTROL (AUX. EMISSION CONTROL DEVICES)

## 2. SECONDARY AIR COMBINATION VALVE



EC-02184

- |  |  |            |
|--|--|------------|
| (1) Gasket                             | (5) Air duct                           | (9) Gasket |
| (2) Secondary air combination valve LH | (6) Clamp                              |            |
| (3) Gasket                             | (7) Secondary air combination valve RH |            |
| (4) Pipe LH                            | (8) Pipe RH                            |            |

**Tightening torque: N·m (kgf-m, ft-lb)**

**T1: 9 (0.9, 6.6)**

**T2: 19 (1.9, 13.7)**

## General Description

### EMISSION CONTROL (AUX. EMISSION CONTROL DEVICES)

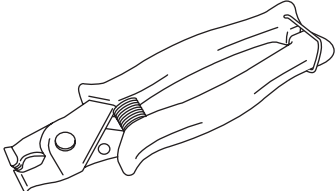
#### B: CAUTION

- Wear appropriate work clothing, including a cap, protective goggles and protective shoes when performing any work.
- Remove contamination including dirt and corrosion before removal, installation or disassembly.
- Keep the disassembled parts in order and protect them from dust and dirt.
- Before removal, installation or disassembly, be sure to clarify the failure. Avoid unnecessary removal, installation, disassembly and replacement.

- Vehicle components are extremely hot after driving. Be wary of receiving burns from heated parts.
- Be sure to tighten fasteners including bolts and nuts to the specified torque.
- Place shop jacks or rigid racks at the specified points.
- Before disconnecting connectors of sensors or units, be sure to disconnect the ground cable from the battery.

#### C: PREPARATION TOOL

##### 1. SPECIAL TOOL

ILLUSTRATION	TOOL NUMBER	DESCRIPTION	REMARKS
 ST18353AA000	18353AA000	CLAMP PLIERS	<ul style="list-style-type: none"><li>• Used for removing and installing the PCV hose.</li><li>• This is a general tool made by the French company CAILLAU. (code) 54.0.000.205 To make this easier to obtain in the same way as genuine Subaru parts, it has been provided with a tool number as an ST.</li></ul>