

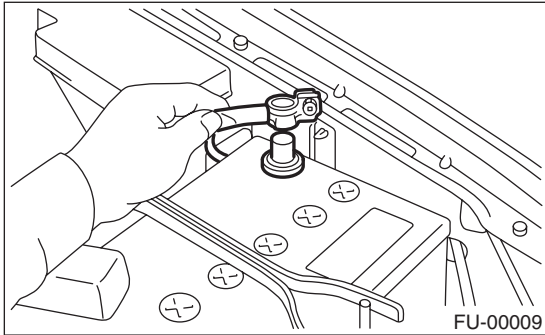
# Secondary Air Pump

EMISSION CONTROL (AUX. EMISSION CONTROL DEVICES)

## 6. Secondary Air Pump

### A: REMOVAL

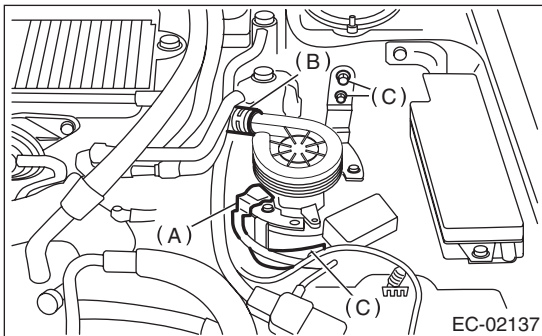
1) Disconnect the ground cable from the battery.



2) Disconnect the connector (A) from secondary air pump.

3) Disconnect the hose (B) from secondary air pump.

4) Remove the bolt (C) which secures the secondary air pump to the body.

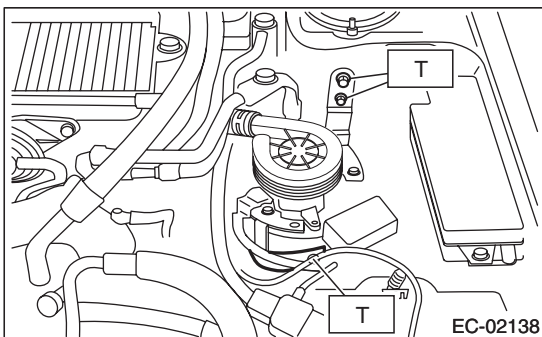


### B: INSTALLATION

Install in the reverse order of removal.

**Tightening torque:**

**5 N·m (0.5 kgf-m, 3.7 ft-lb)**



### C: INSPECTION

Make sure the hoses are not cracked or loose.