

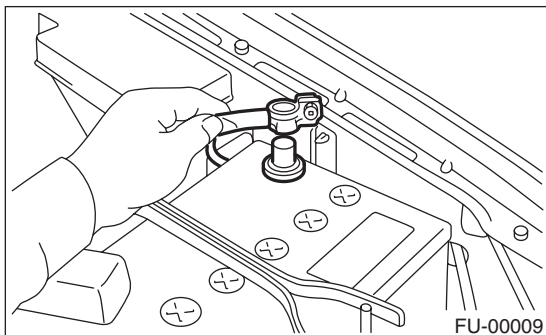
Drain Valve

EMISSION CONTROL (AUX. EMISSION CONTROL DEVICES)

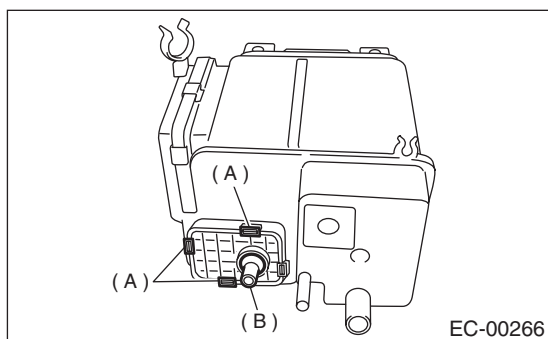
16. Drain Valve

A: REMOVAL

- 1) Set the vehicle on a lift.
- 2) Disconnect the ground cable from the battery.



- 3) Lift-up the vehicle.
- 4) Remove the canisters. <Ref. to EC (H4DOTC)-7, REMOVAL, Canister.>
- 5) Disengage the clip, then remove the drain valve from the canister.



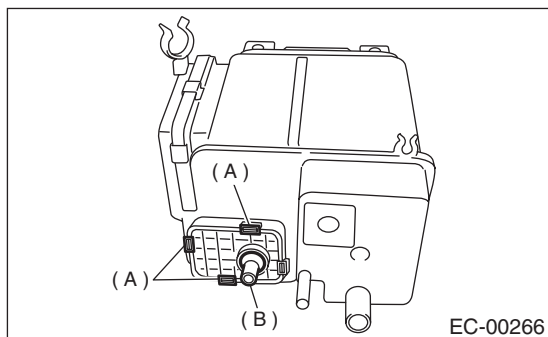
- (A) Clip
- (B) Drain valve

B: INSTALLATION

Install in the reverse order of removal.

NOTE:

Use a new clip.



- (A) Clip
- (B) Drain valve