

Electrical Component Location

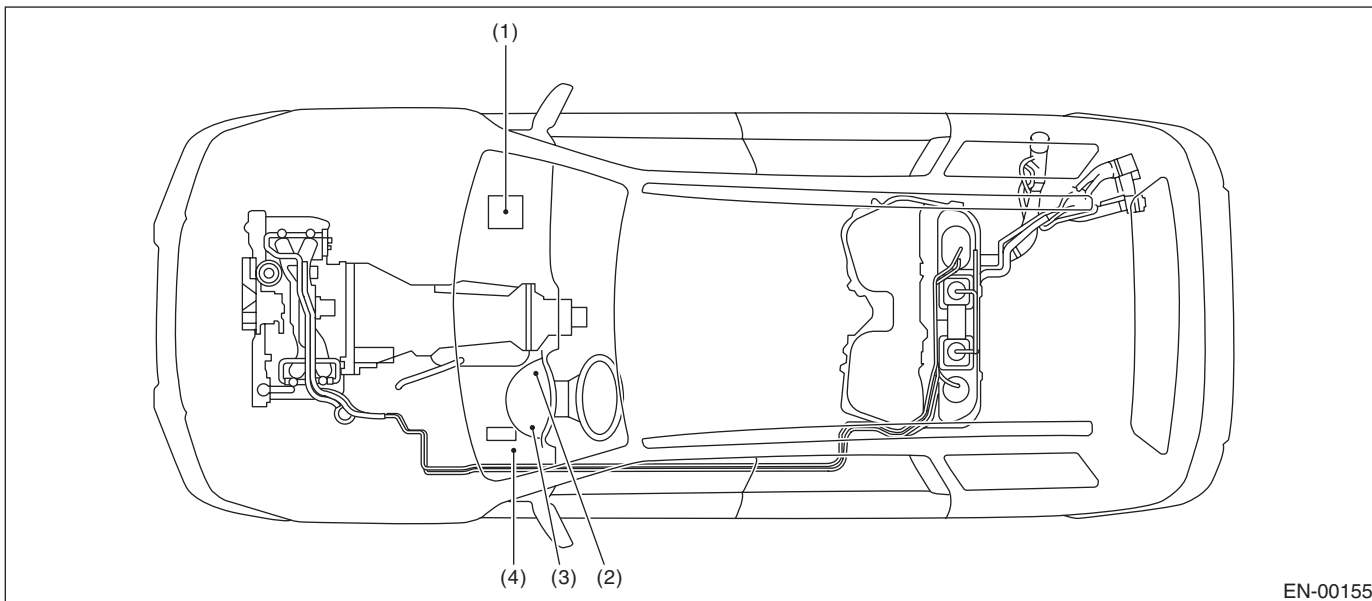
ENGINE (DIAGNOSTICS)

4. Electrical Component Location

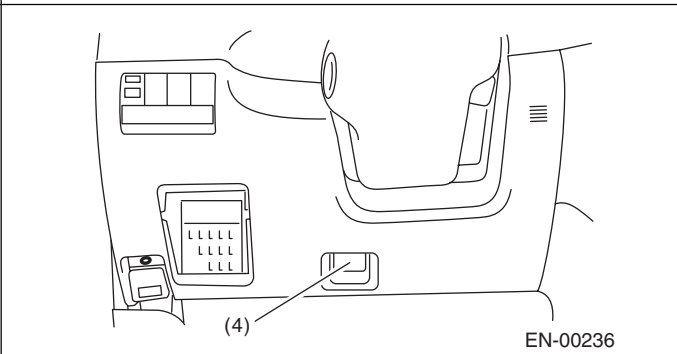
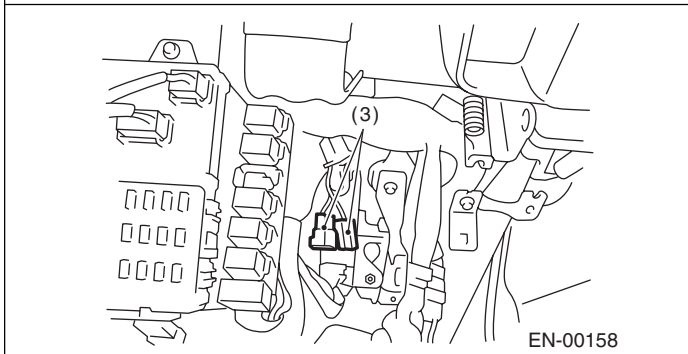
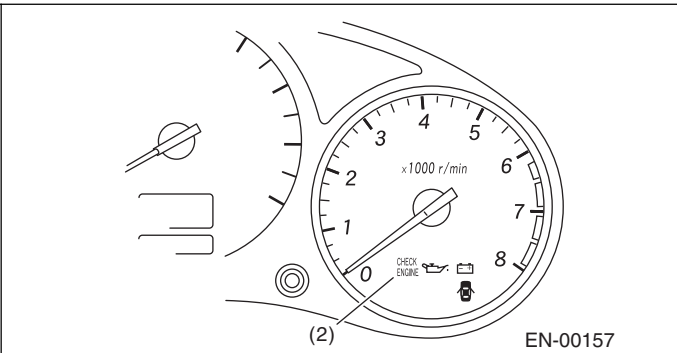
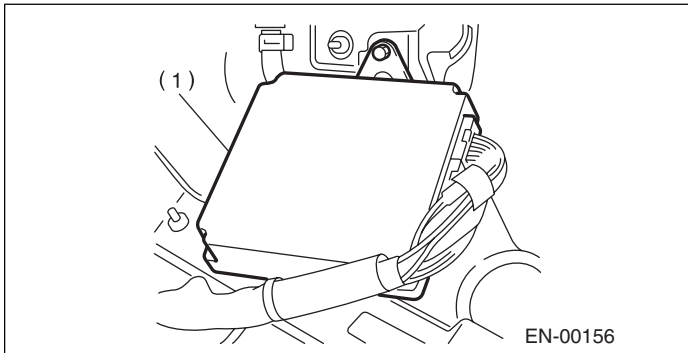
A: LOCATION

1. ENGINE

- Control module



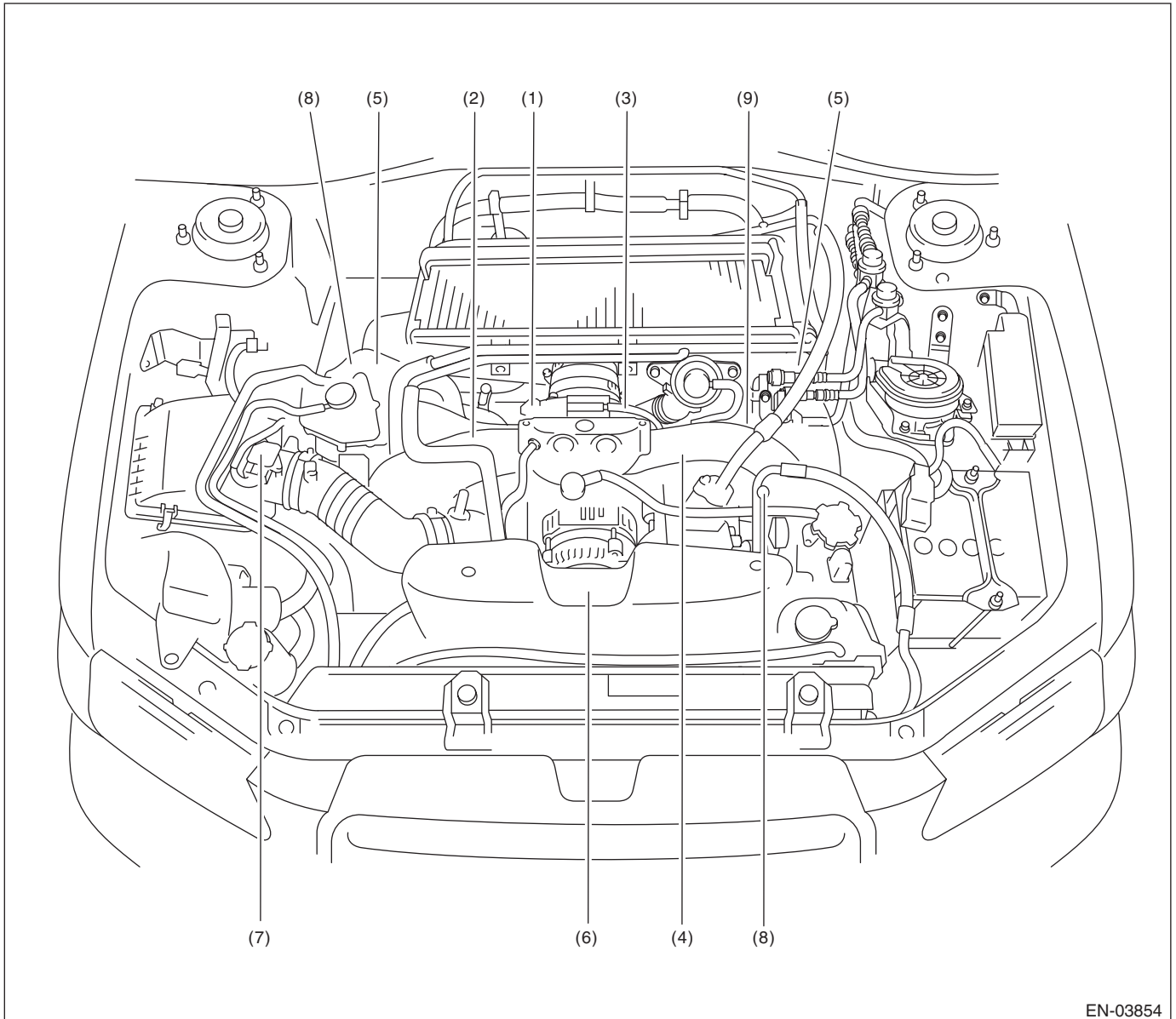
- (1) Engine control module (ECM) (3) Test mode connector (4) Data link connector
(2) Malfunction indicator light



Electrical Component Location

ENGINE (DIAGNOSTICS)

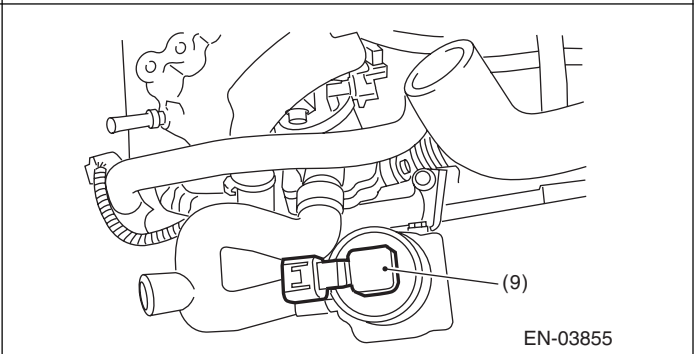
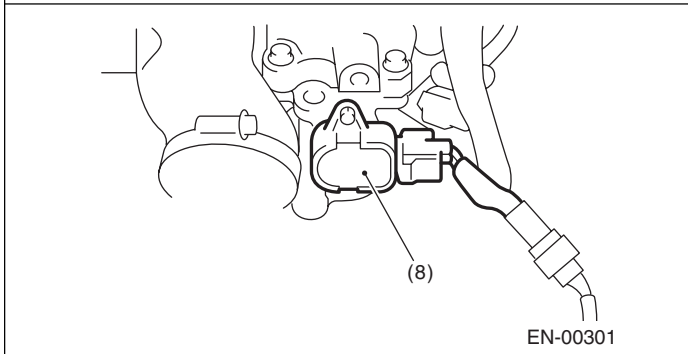
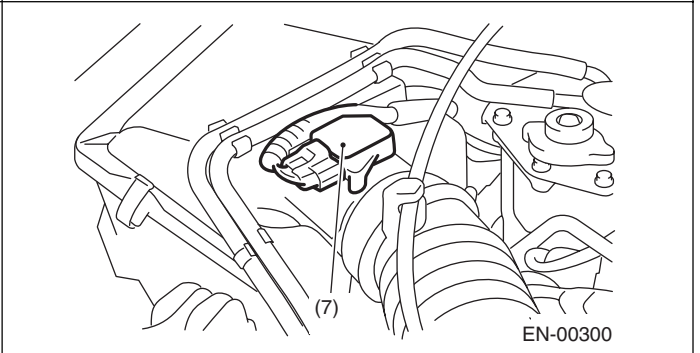
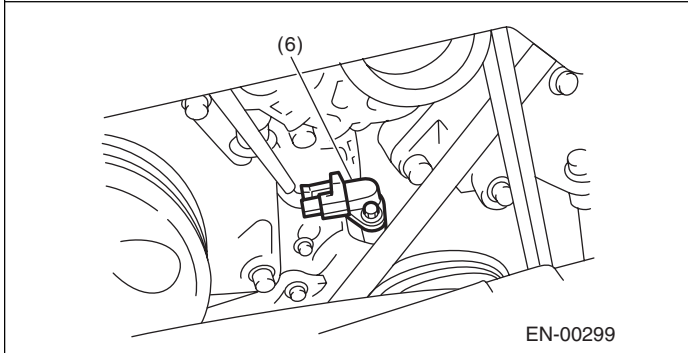
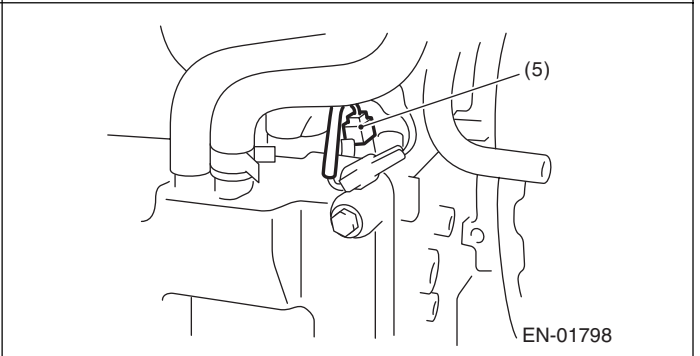
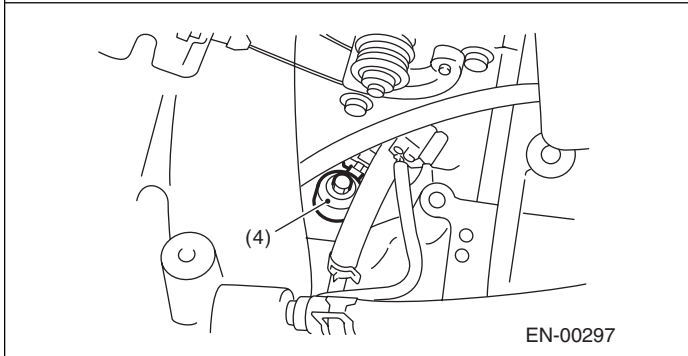
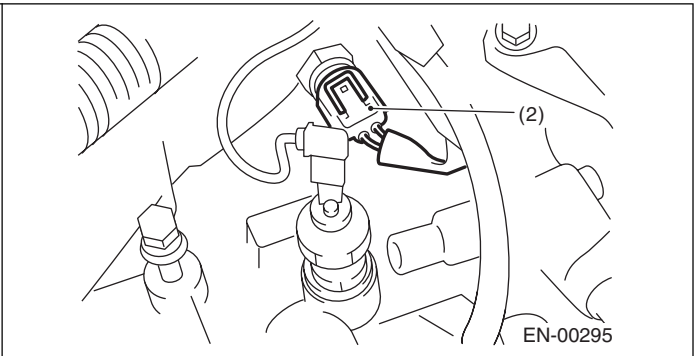
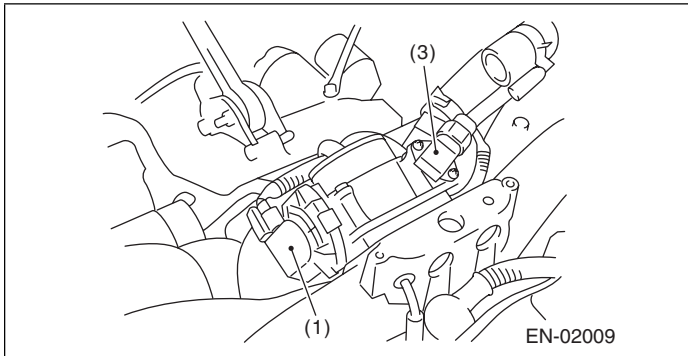
- Sensor



- | | | |
|---|--------------------------------|--|
| (1) Throttle position sensor | (4) Knock sensor | (8) Tumble generator valve position sensor |
| (2) Engine coolant temperature sensor | (5) Camshaft position sensor | (9) Secondary air pressure sensor |
| (3) Manifold absolute pressure sensor | (6) Crankshaft position sensor | |
| (7) Mass air flow and intake air temperature sensor | | |

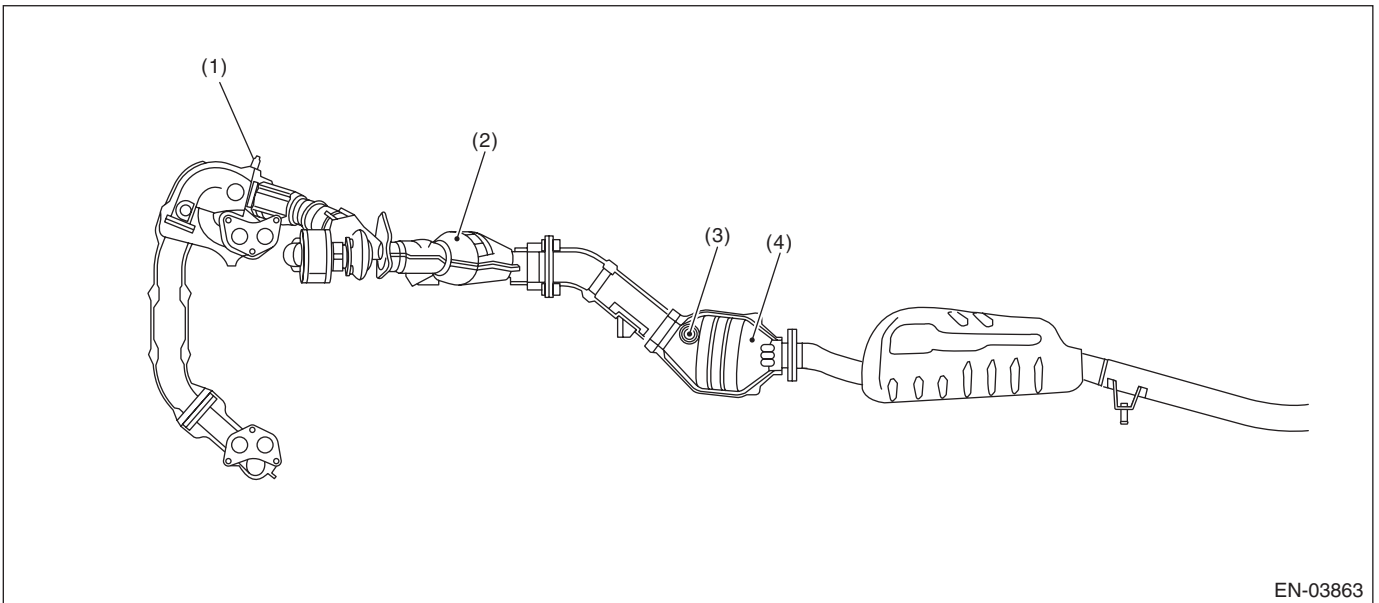
Electrical Component Location

ENGINE (DIAGNOSTICS)



Electrical Component Location

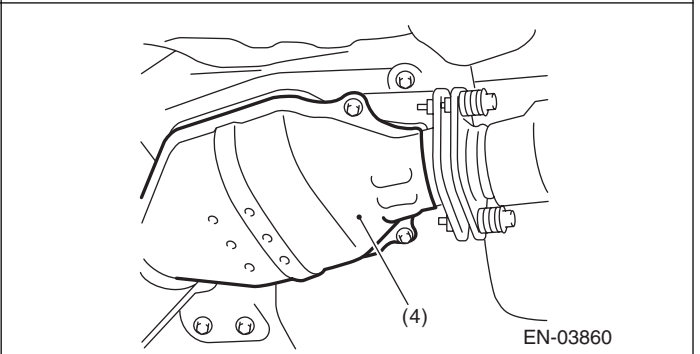
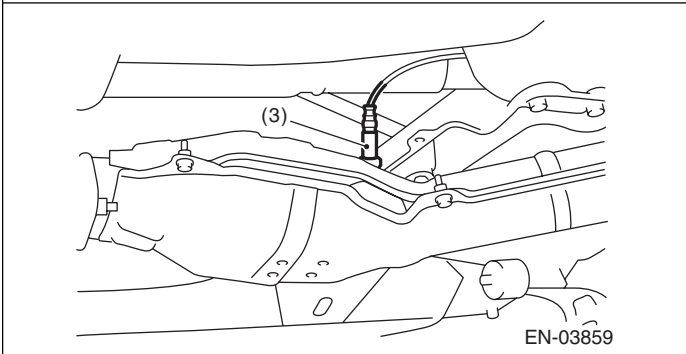
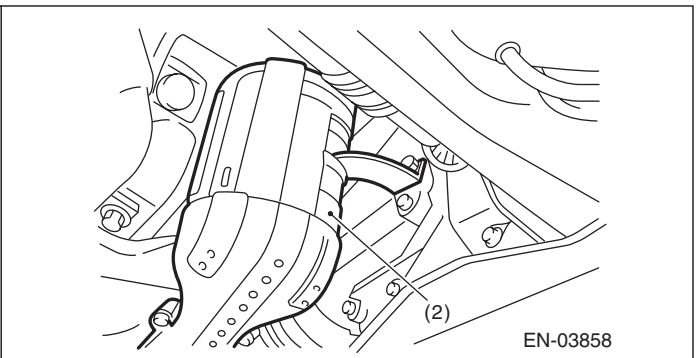
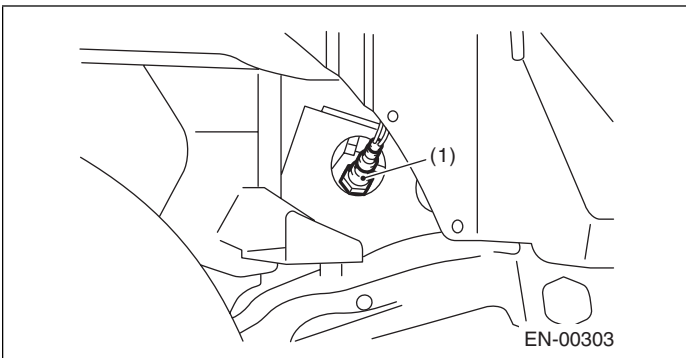
ENGINE (DIAGNOSTICS)



(1) Front oxygen (A/F) sensor
(2) Front catalytic converter

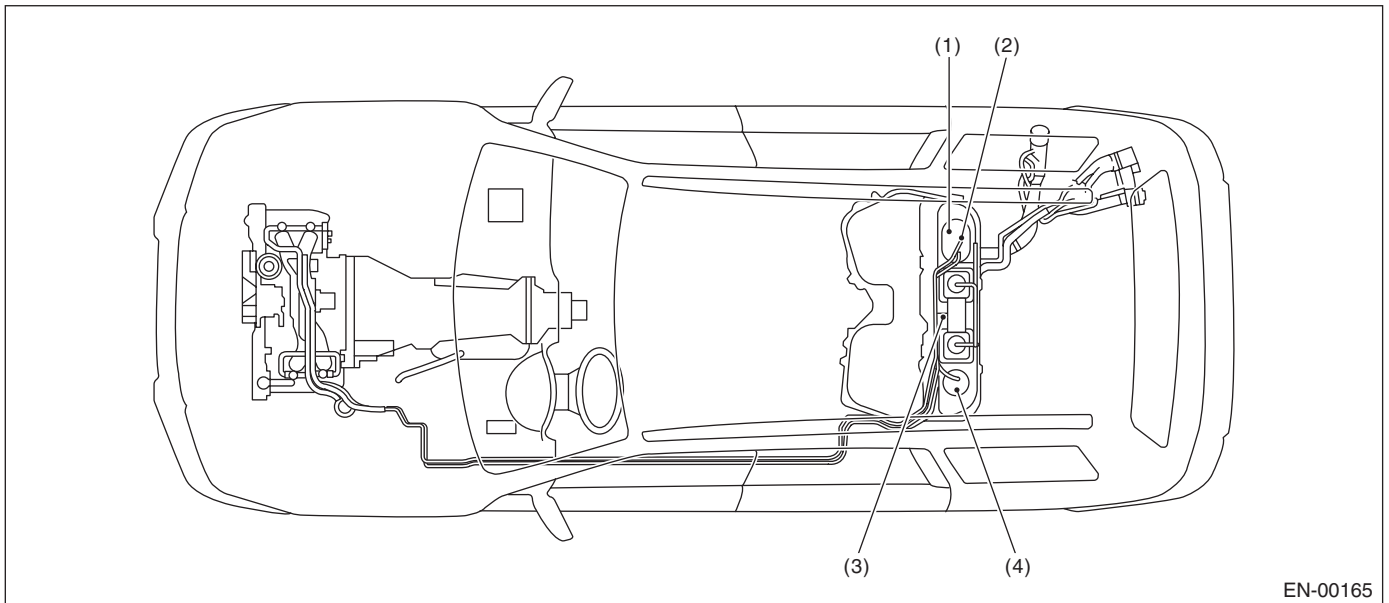
(3) Rear oxygen sensor

(4) Rear catalytic converter



Electrical Component Location

ENGINE (DIAGNOSTICS)

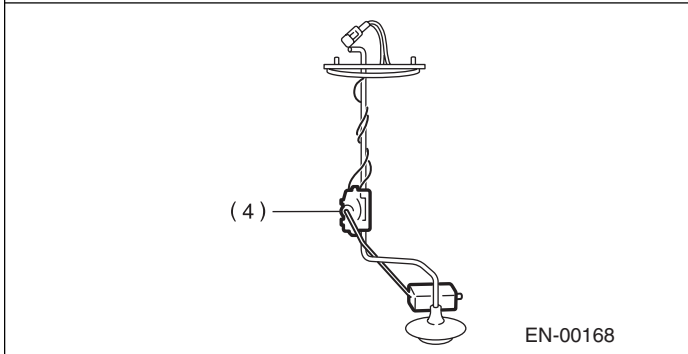
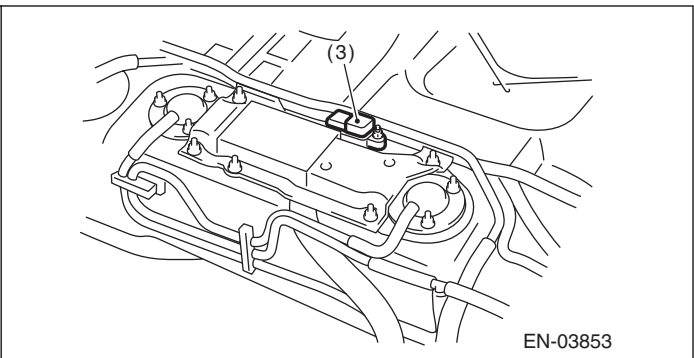
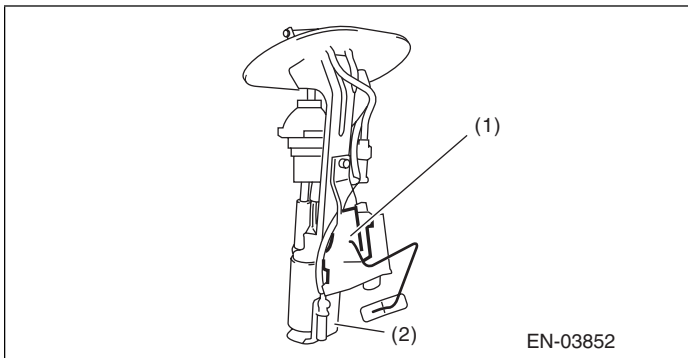


(1) Fuel level sensor

(3) Fuel tank pressure sensor

(4) Fuel sub level sensor

(2) Fuel temperature sensor

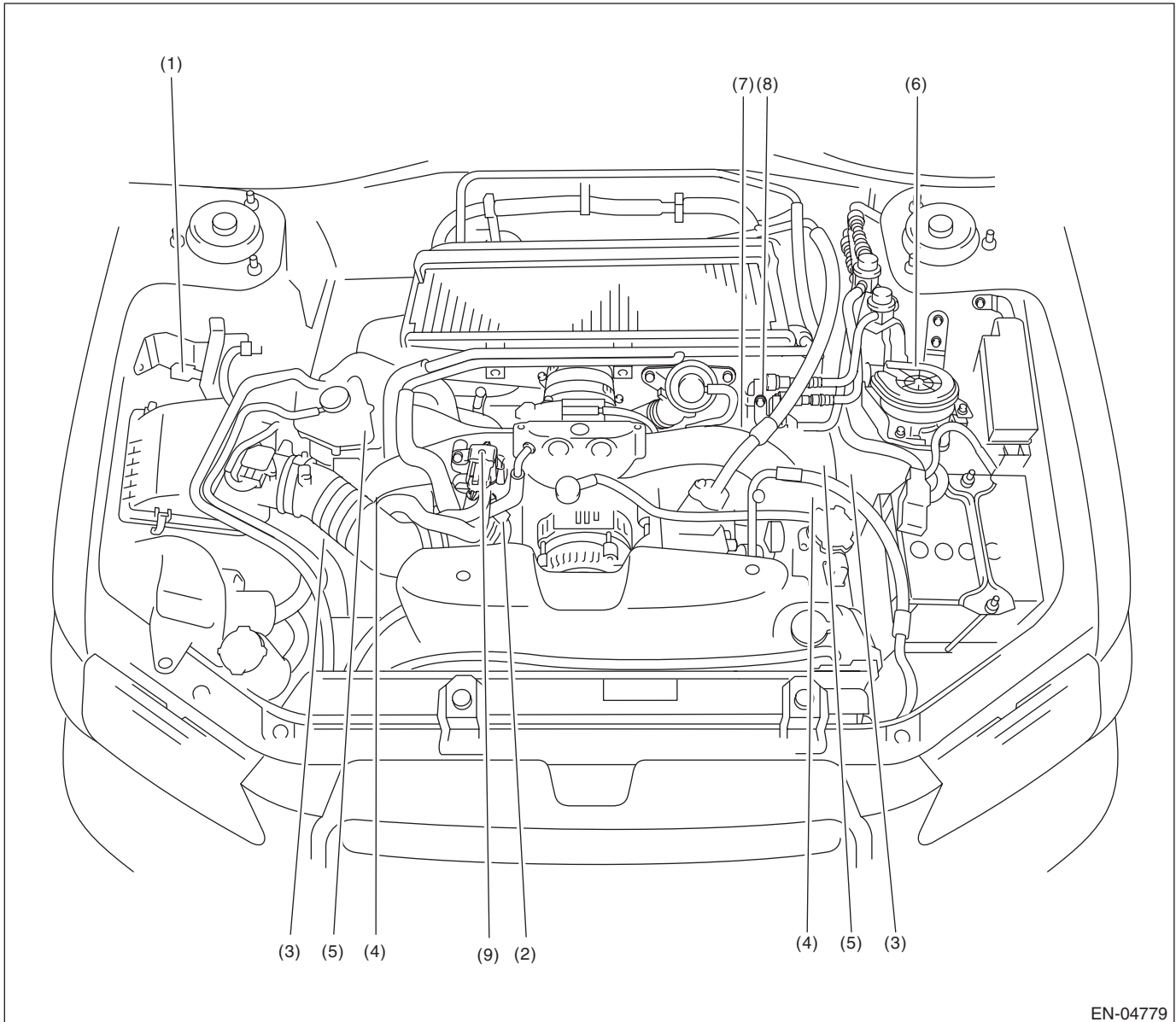


SUBARU.

Electrical Component Location

ENGINE (DIAGNOSTICS)

- Solenoid valve, actuator, emission control system parts and ignition system parts

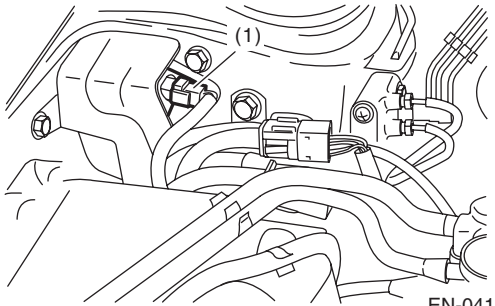


EN-04779

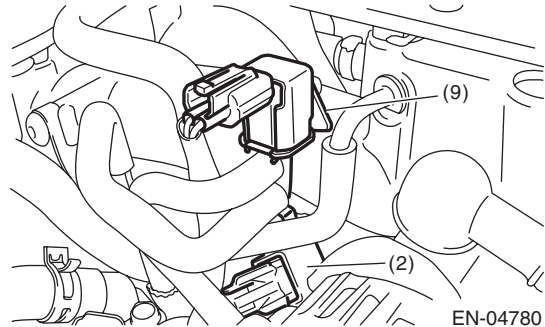
- | | | |
|--------------------------------------|---|---|
| (1) Wastegate control solenoid valve | (5) Oil flow control solenoid valve | (8) Secondary air injection system switching valve (LH) |
| (2) Purge control solenoid valve 1 | (6) Secondary air pump | (9) Purge control solenoid valve 2 |
| (3) Ignition coil | (7) Secondary air injection system switching valve (RH) | |
| (4) Tumble generator valve actuator | | |

Electrical Component Location

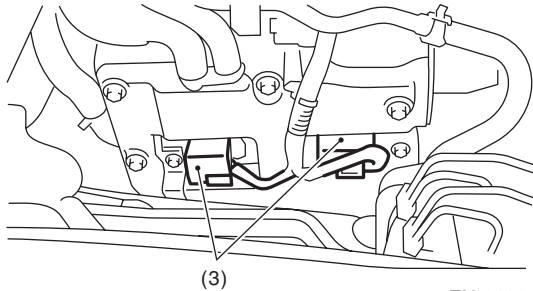
ENGINE (DIAGNOSTICS)



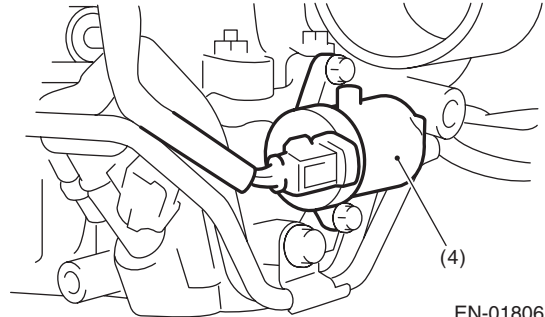
EN-04111



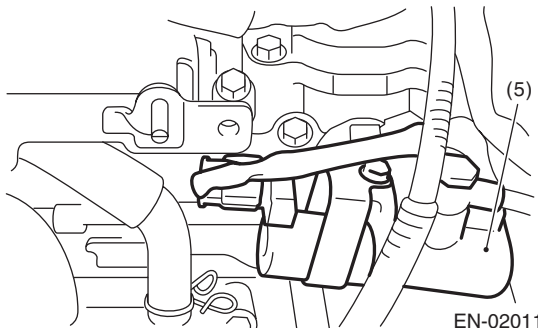
EN-04780



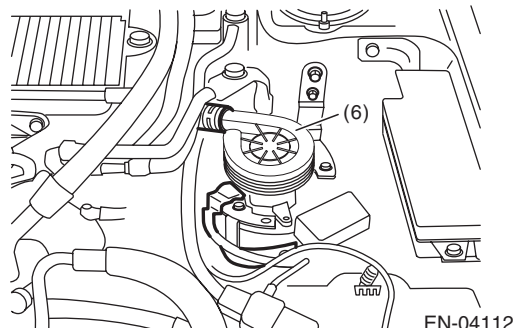
EN-01805



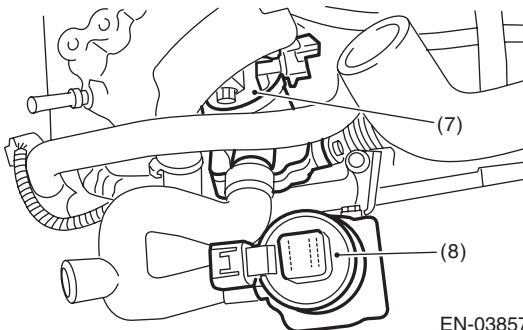
EN-01806



EN-02011



EN-04112

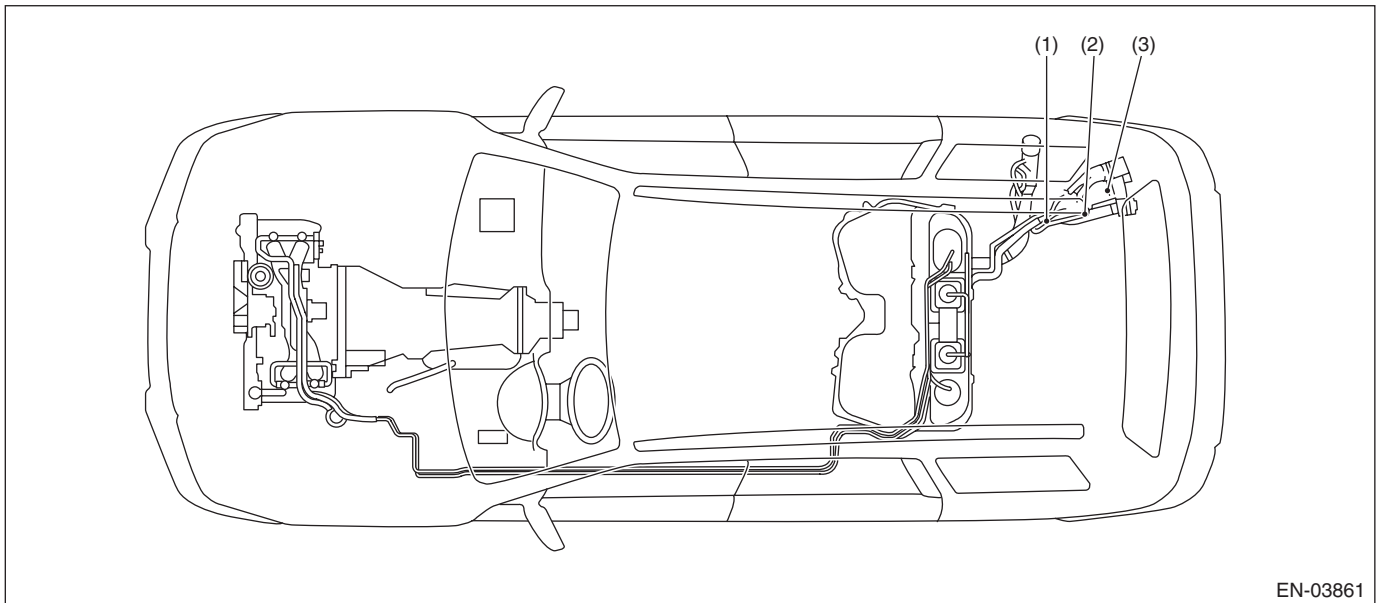


EN-03857

SUBARU.

Electrical Component Location

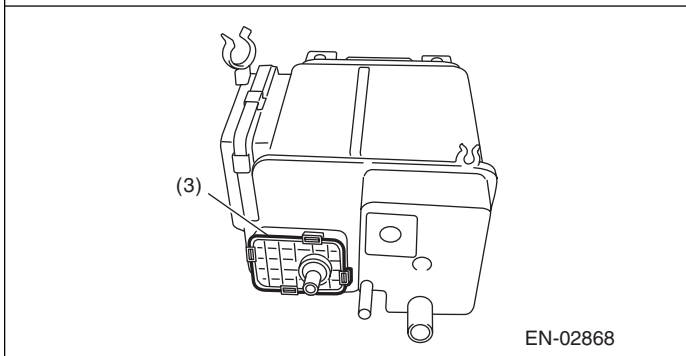
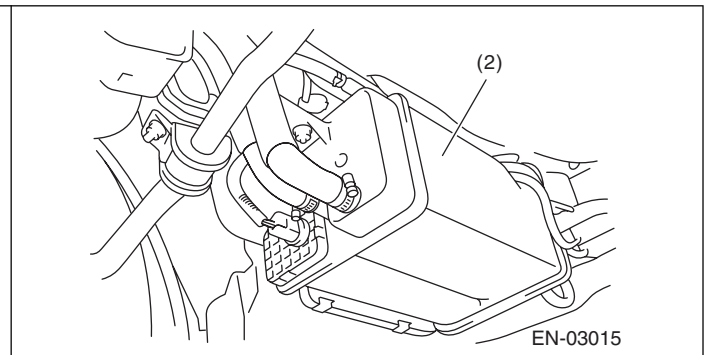
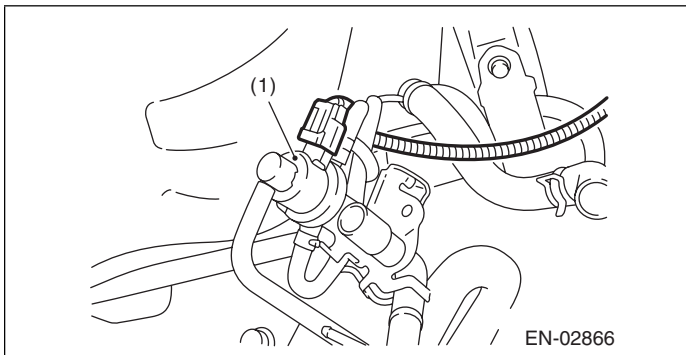
ENGINE (DIAGNOSTICS)



(1) Pressure control solenoid valve

(2) Canister

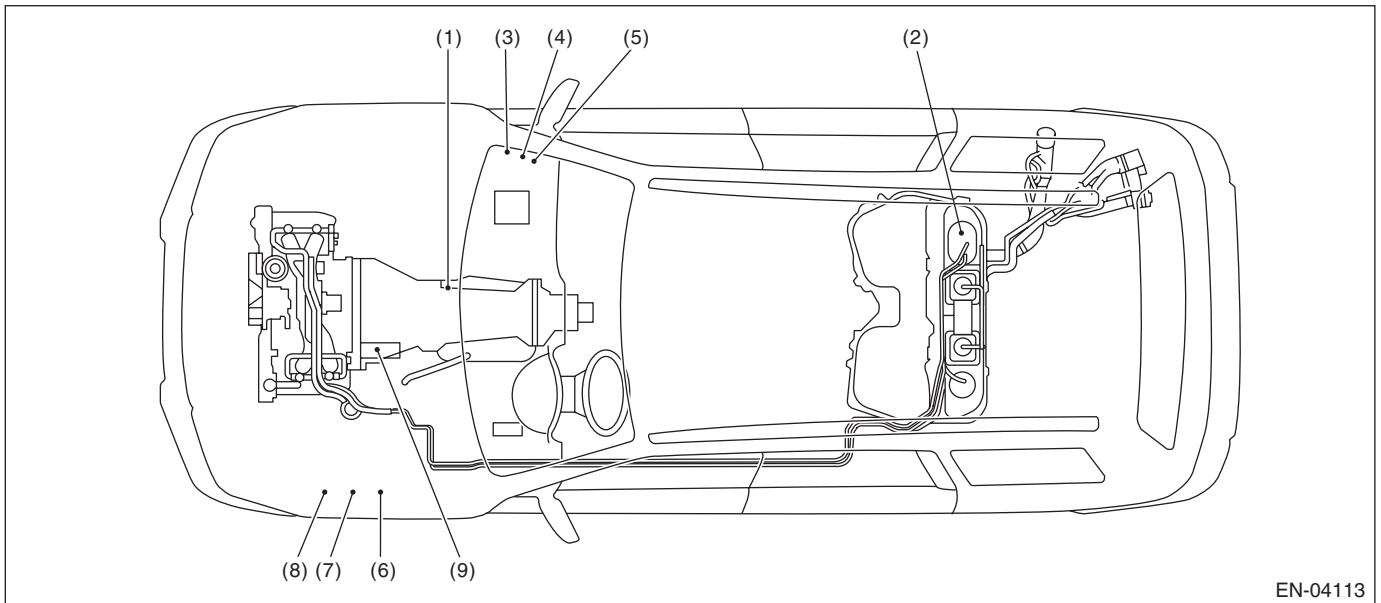
(3) Drain valve



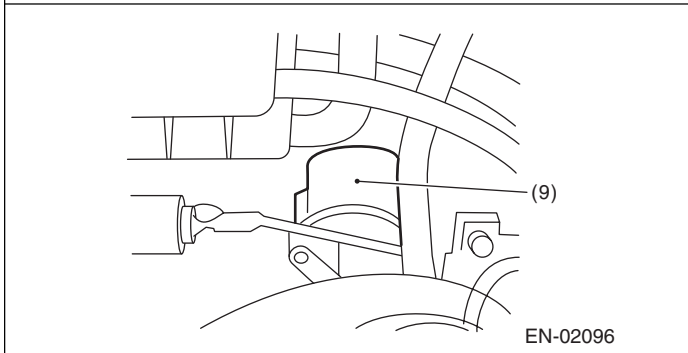
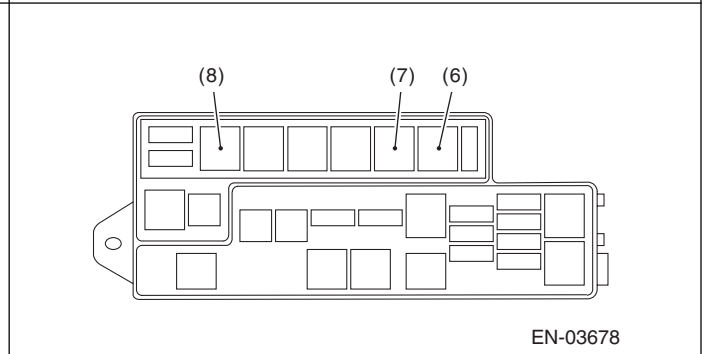
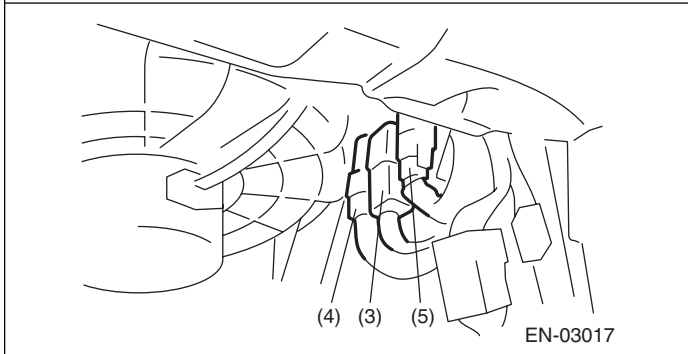
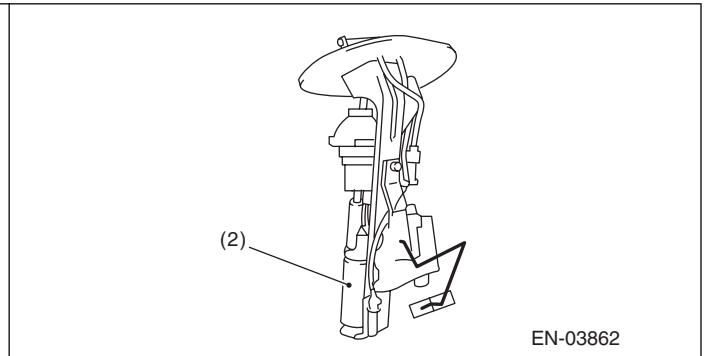
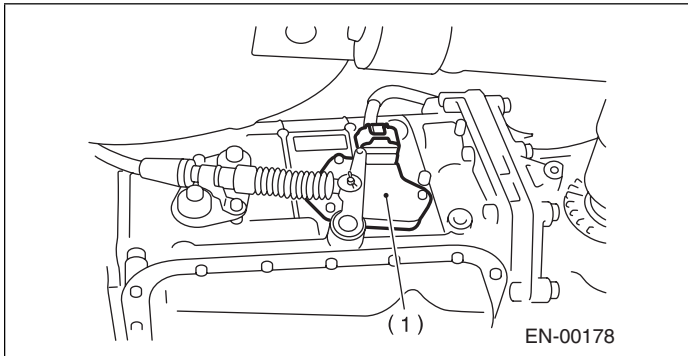
SUBARU.

Electrical Component Location

ENGINE (DIAGNOSTICS)



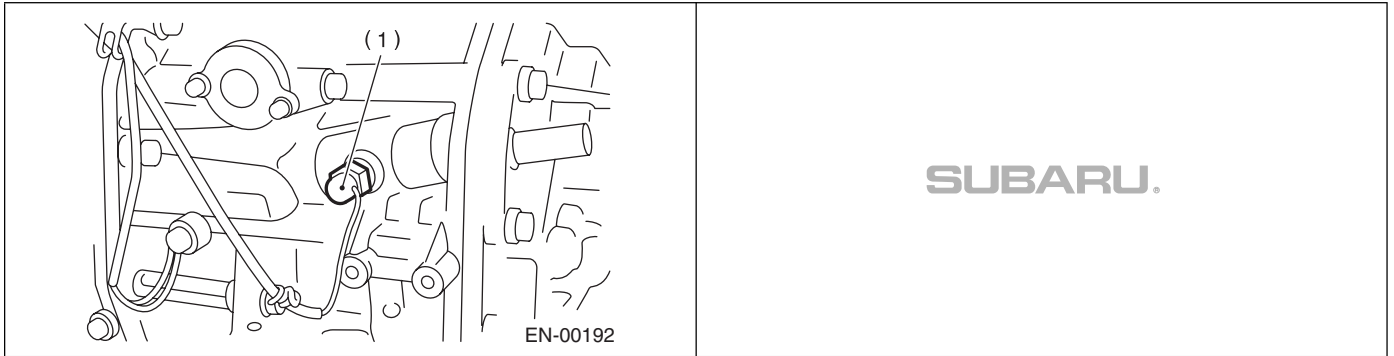
- | | | |
|----------------------|---------------------------------------|----------------------------|
| (1) Inhibitor switch | (4) Fuel pump relay | (7) Radiator sub fan relay |
| (2) Fuel pump | (5) Electronic throttle control relay | (8) Fan mode relay |
| (3) Main relay | (6) Radiator main fan relay | (9) Starter |



SUBARU.

2. TRANSMISSION

- Solenoid valve and switch (MT vehicles)



- (1) Neutral position switch