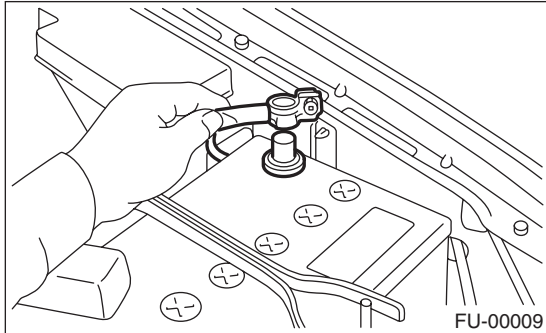


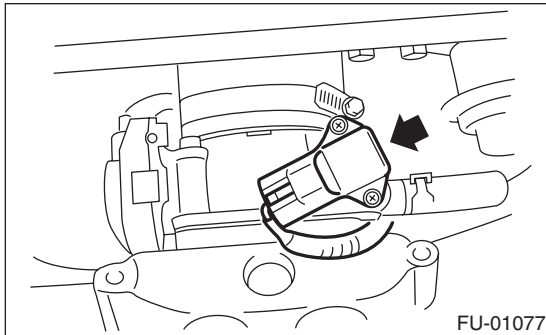
## 9. Manifold Absolute Pressure Sensor

### A: REMOVAL

- 1) Disconnect the ground cable from the battery.



- 2) Remove the collector cover.
- 3) Disconnect the connector from manifold absolute pressure sensor.



- 4) Remove the manifold absolute pressure sensor from throttle body.

### B: INSTALLATION

Install in the reverse order of removal.

NOTE:

Use new O-rings.

**Tightening torque:**

**1.6 N·m (0.16 kgf-m, 1.2 ft-lb)**