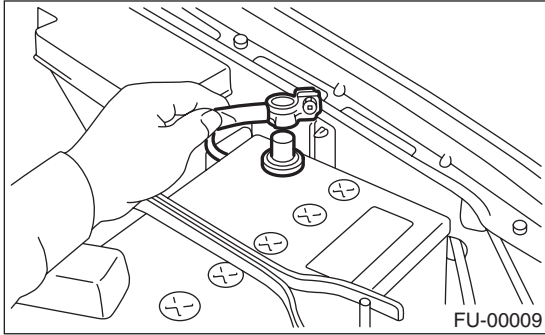


12. Tumble Generator Valve Actuator

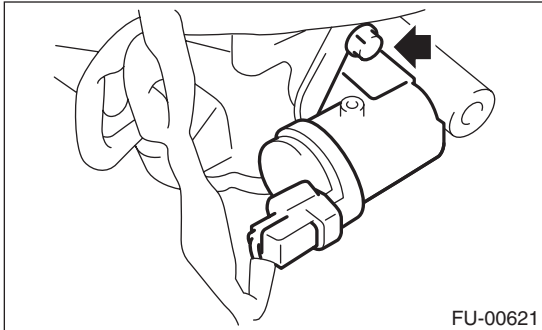
A: REMOVAL

1. RH SIDE

- 1) Release the fuel pressure. <Ref. to FU(H4DOTC)-49, RELEASING OF FUEL PRESSURE, PROCEDURE, Fuel.>
- 2) Disconnect the ground cable from the battery.



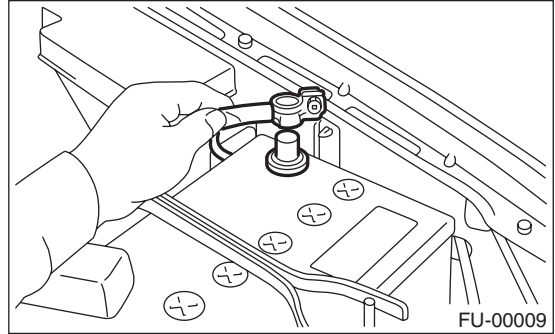
- 3) Open the fuel filler flap lid, and remove the fuel filler cap.
- 4) Remove the collector cover.
- 5) Remove the intake manifold. <Ref. to FU(H4DOTC)-14, REMOVAL, Intake Manifold.>
- 6) Disconnect the connector from tumble generator valve actuator.
- 7) Remove the tumble generator valve actuator.



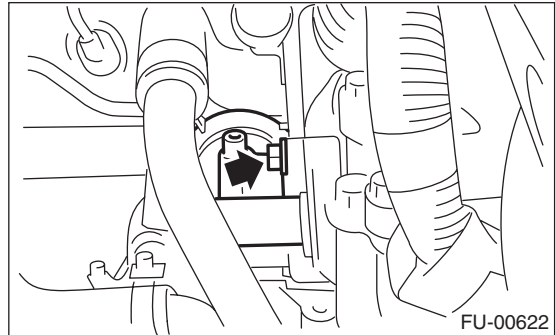
2. LH SIDE

- 1) Release the fuel pressure. <Ref. to FU(H4DOTC)-49, RELEASING OF FUEL PRESSURE, PROCEDURE, Fuel.>

- 2) Disconnect the ground cable from the battery.



- 3) Open the fuel filler flap lid, and remove the fuel filler cap.
- 4) Remove the collector cover.
- 5) Remove the secondary air pump. <Ref. to EC (H4DOTC)-9, REMOVAL, Secondary Air Pump.>
- 6) Disconnect the connector from tumble generator valve actuator.
- 7) Remove the tumble generator valve actuator.



B: INSTALLATION

1. RH SIDE

Install in the reverse order of removal.

2. LH SIDE

Install in the reverse order of removal.