

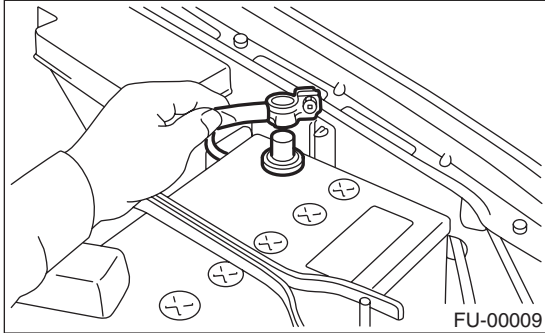
Engine Control Module (ECM)

FUEL INJECTION (FUEL SYSTEMS)

17.Engine Control Module (ECM)

A: REMOVAL

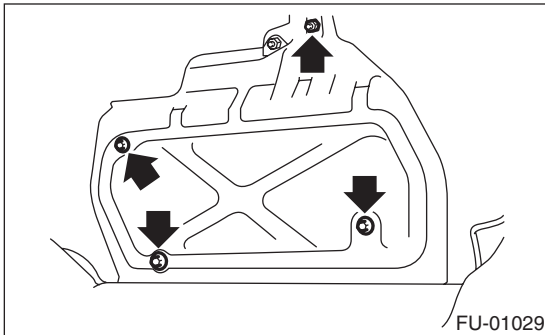
- 1) Disconnect the ground cable from the battery.



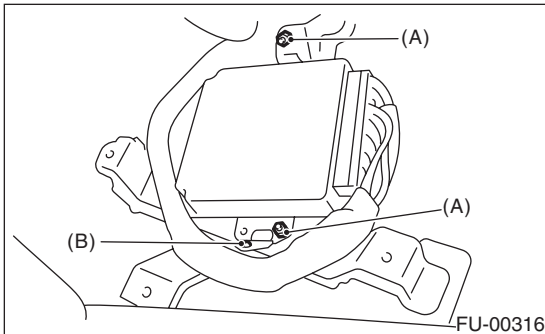
- 2) Remove the lower inner trim of passenger's side.

<Ref. to EI-43, REMOVAL, Lower Inner Trim.>

- 3) Detach the floor mat of passenger's seat.
- 4) Remove the protect cover.



- 5) Remove the nuts (A) which hold ECM to bracket.
- 6) Remove the clip (B) from the bracket.



- 7) Disconnect the ECM connectors, and take out the ECM.

B: INSTALLATION

Install in the reverse order of removal.

NOTE:

When replacing the ECM, be careful not to use the wrong spec. ECM to avoid any damage on the fuel injection system.

Tightening torque:

7.5 N·m (0.76 kgf-m, 5.5 ft-lb)