

# Fuel Tank

## FUEL INJECTION (FUEL SYSTEMS)

### 23. Fuel Tank

#### A: REMOVAL

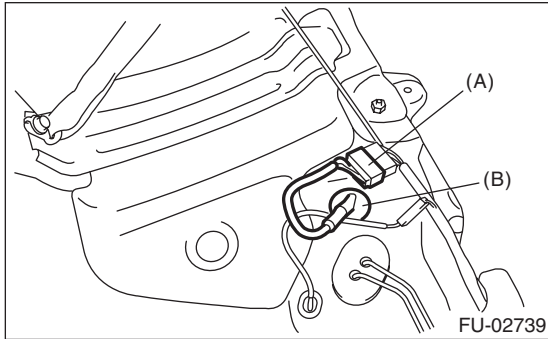
##### WARNING:

Place "NO FIRE" signs near the working area.

##### CAUTION:

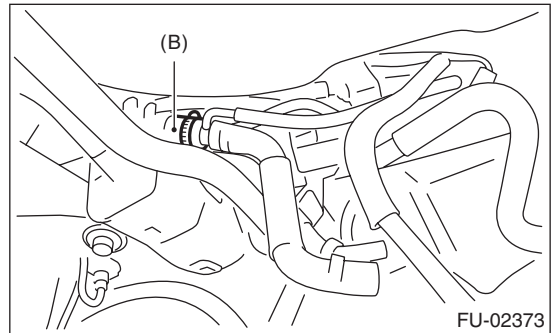
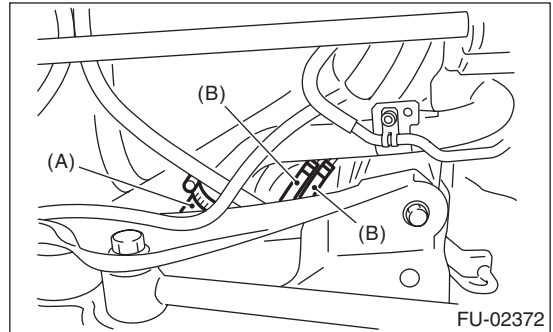
Be careful not to spill fuel.

- 1) Set the vehicle on a lift.
- 2) Release the fuel pressure. <Ref. to FU(H4DOTC)-49, RELEASING OF FUEL PRESSURE, PROCEDURE, Fuel.>
- 3) Drain fuel from fuel tank. <Ref. to FU(H4DOTC)-49, DRAINING FUEL, PROCEDURE, Fuel.>
- 4) Remove the rear seat.
- 5) Disconnect the connector (A) of fuel tank cord to the rear harness.
- 6) Push the grommet (B) which holds the fuel tank cord on the floor panel into under the body.

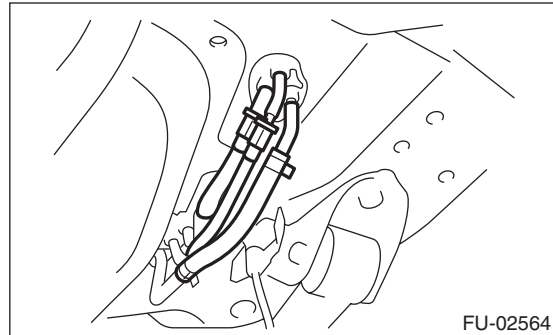


- 7) Remove the rear crossmember. <Ref. to RS-16, REMOVAL, Rear Crossmember.>
- 8) Remove the canisters. <Ref. to EC (H4DOTC)-7, REMOVAL, Canister.>
- 9) Disconnect the connector from the pressure control solenoid valve.

- 10) Loosen the clamp and disconnect the fuel filler hose (A) and evaporation hose (B) from the fuel filler pipe.



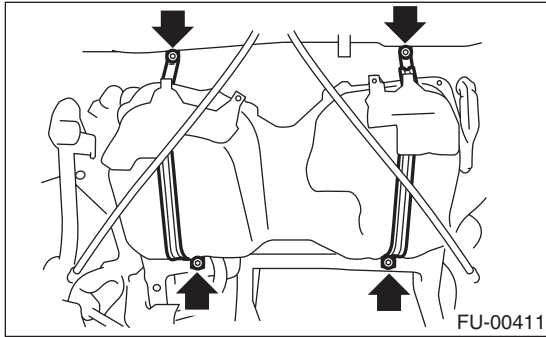
- 11) Move the clips, and disconnect the quick connector. <Ref. to FU(H4DOTC)-64, REMOVAL, Fuel Delivery, Return and Evaporation Lines.>
- 12) Disconnect the fuel hoses.



13) Support the fuel tank with transmission jack, remove the bolts from bands and dismount the fuel tank from the vehicle.

**WARNING:**

- A helper is required to perform this work.
- Fuel may remain undrained in the side of the fuel tank without the drain plug. Be careful not to lose balance and drop the fuel tank when removing it, as this remaining fuel may offset the weight balance of the tank.

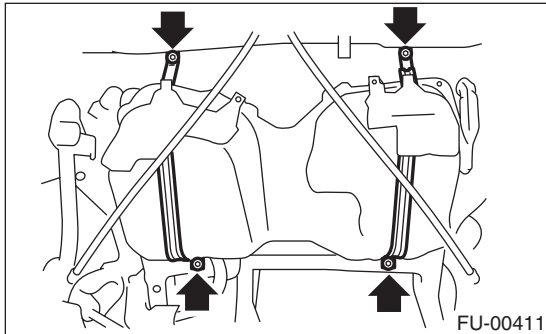


**B: INSTALLATION**

- 1) Support the fuel tank with transmission jack and push the fuel tank harness into access hole with grommet.
- 2) Set the fuel tank and temporarily tighten the bolts of fuel tank bands.

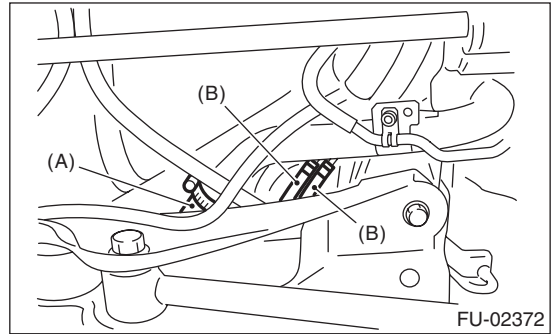
**WARNING:**

A helper is required to perform this work.



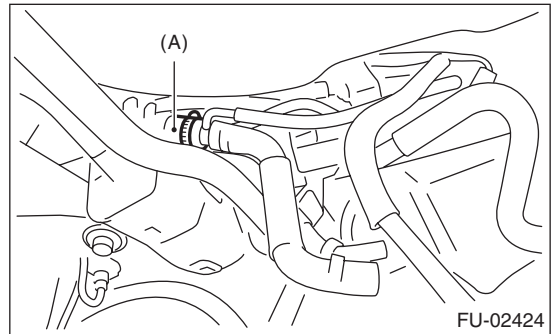
3) Insert the fuel filler hose (A) approx. 35 to 40 mm (1.38 to 1.57 in) over the lower end of fuel filler pipe and tighten the clamp.

4) Insert the evaporation hose (B) into the lower end of evaporation pipe, and secure the clamps and clips.

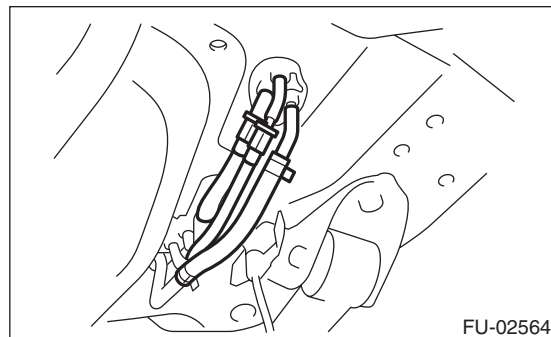


**CAUTION:**

Do not allow clips to touch hose (A) and rear suspension crossmember.



5) Connect the fuel hoses, and hold them with clips and quick connector. <Ref. to FU(H4DOTC)-65, INSTALLATION, Fuel Delivery, Return and Evaporation Lines.>



- 6) Connect the connector to pressure control solenoid valve.
- 7) Install the canister. <Ref. to EC (H4DOTC)-7, INSTALLATION, Canister.>

# Fuel Tank

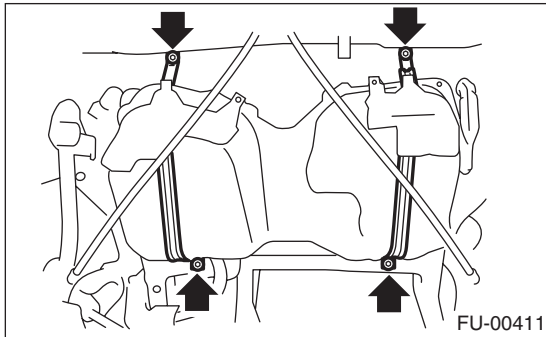
## FUEL INJECTION (FUEL SYSTEMS)

---

8) Tighten the band mounting bolts.

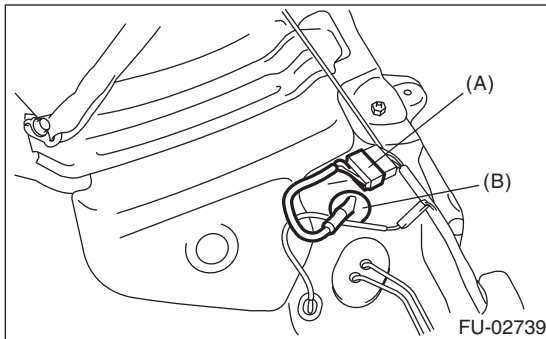
**Tightening torque:**

**33 N·m (3.4 kgf-m, 25 ft-lb)**



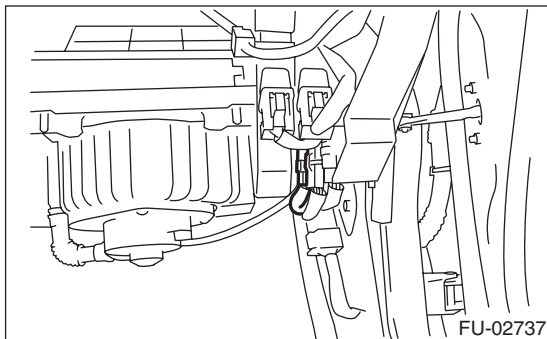
9) Install the rear crossmember. <Ref. to RS-16, INSTALLATION, Rear Crossmember.>

10) Connect the connector (A) to the fuel tank cord and plug the service hole with grommet (B).



11) Set the rear seat and floor mats.

12) Connect the connector to fuel pump relay.



13) Install the passenger's side front side sill cover.

14) Install the glove box. <Ref. to EI-36, INSTALLATION, Glove Box.>

## C: INSPECTION

1) Check that there are no cracks, holes, or other damage on the fuel tank.

2) Make sure that the fuel pipe and fuel hose are not cracked and those connections are tight.