

9. Radiator Sub Fan and Fan Motor

A: REMOVAL

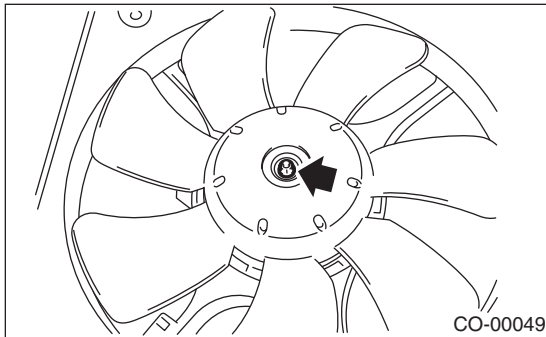
Refer to the radiator main fan and fan motor. <Ref. to CO(H4SO)-34, REMOVAL, Radiator Main Fan and Fan Motor.>

B: INSTALLATION

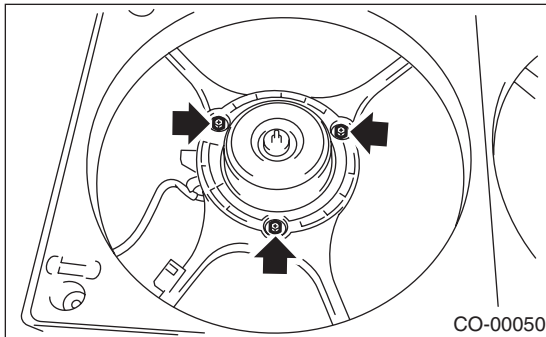
Refer to the radiator main fan and fan motor. <Ref. to CO(H4SO)-37, INSTALLATION, Radiator Main Fan and Fan Motor.>

C: DISASSEMBLY

- 1) Remove the clip which holds motor connector onto the shroud.
- 2) Remove the nuts which secure the fan to the fan motor.



- 3) Remove the bolts which hold fan motor onto shroud.

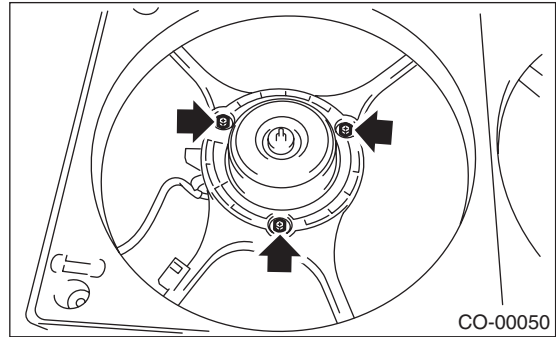


D: ASSEMBLY

Assemble in the reverse order of disassembly.

Tightening torque:

4.4 N·m (0.45 kgf-m, 3.3 ft-lb)



Tightening torque:

3.4 N·m (0.35 kgf-m, 2.5 ft-lb)

