

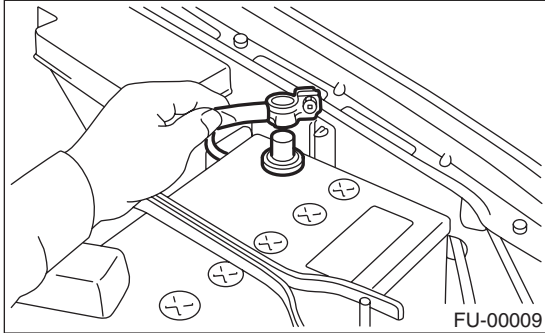
Canister

EMISSION CONTROL (AUX. EMISSION CONTROL DEVICES)

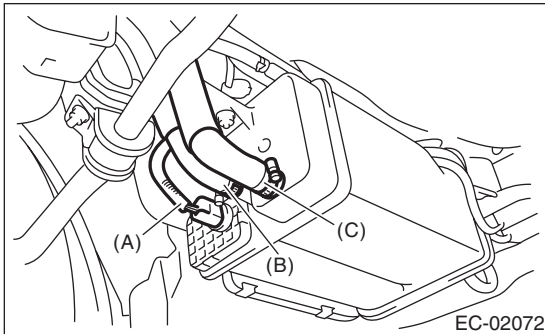
5. Canister

A: REMOVAL

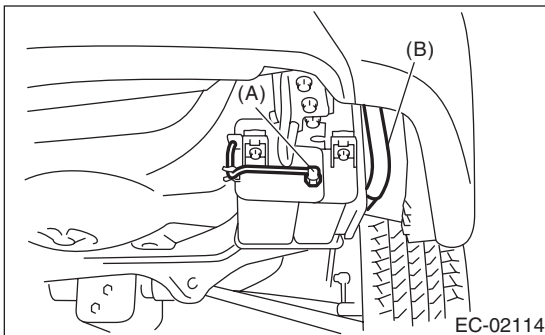
- 1) Disconnect the ground cable from the battery.



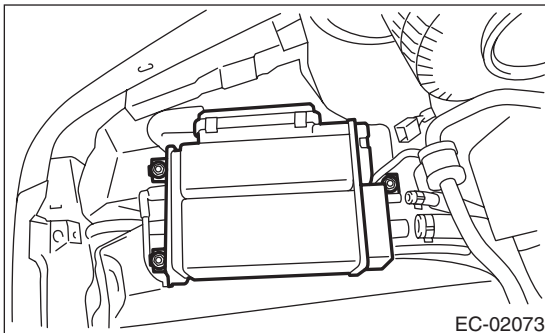
- 2) Lift-up the vehicle.
- 3) Disconnect the connector (A) from drain valve.
- 4) Disconnect the evaporation hoses (B) and (C) from the canister.



- 5) Disconnect the quick connector (A) from the canister.
- 6) Disconnect the drain hose (B) from the canister.



- 7) Remove the canister from the body.



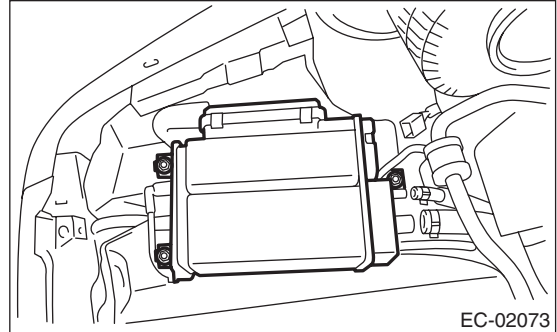
B: INSTALLATION

NOTE:

- Replace the retainer of quick connector with a new part.
- Install in the reverse order of removal.

Tightening torque:

23 N·m (2.3 kgf-m, 17 ft-lb)



C: INSPECTION

Make sure the canister and canister hoses are not cracked or loose.