

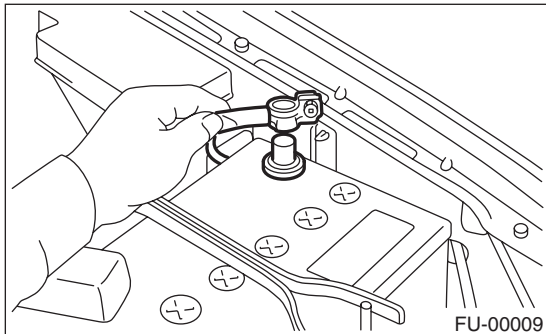
Purge Control Solenoid Valve

EMISSION CONTROL (AUX. EMISSION CONTROL DEVICES)

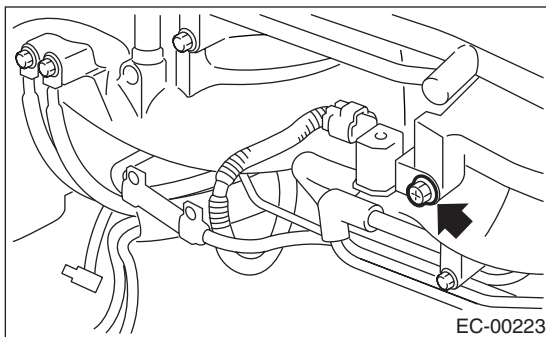
6. Purge Control Solenoid Valve

A: REMOVAL

1) Disconnect the ground cable from the battery.



2) Disconnect the connector and evaporation hoses of purge control solenoid valve, and then remove the purge control solenoid valve.

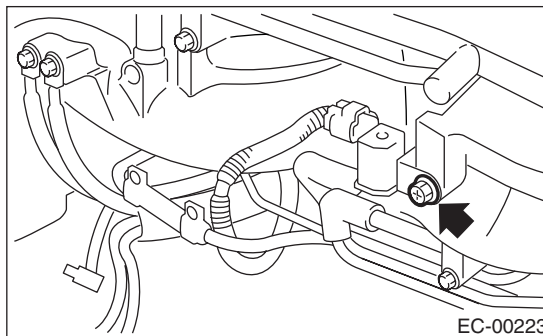


B: INSTALLATION

Install in the reverse order of removal.

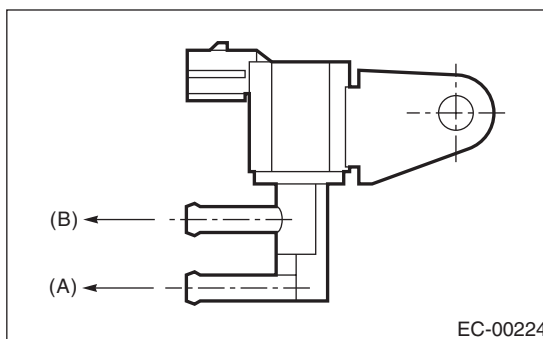
Tightening torque:

19 N·m (1.9 kgf-m, 14.0 ft-lb)



NOTE:

Connect the evaporation hose as shown in the figure.



(A) To fuel pipe (evaporation line)

(B) To intake manifold

C: INSPECTION

Make sure the hoses are not cracked or loose.