

# Fuel Tank Pressure Sensor

EMISSION CONTROL (AUX. EMISSION CONTROL DEVICES)

## 10. Fuel Tank Pressure Sensor

### A: REMOVAL

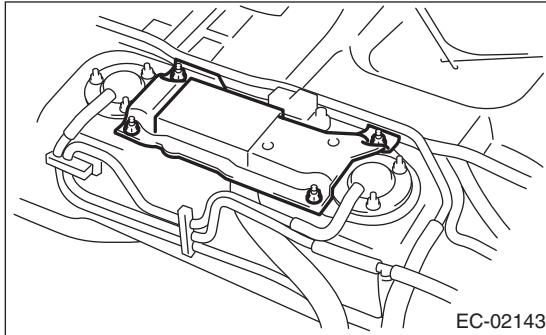
#### WARNING:

Place "NO FIRE" signs near the working area.

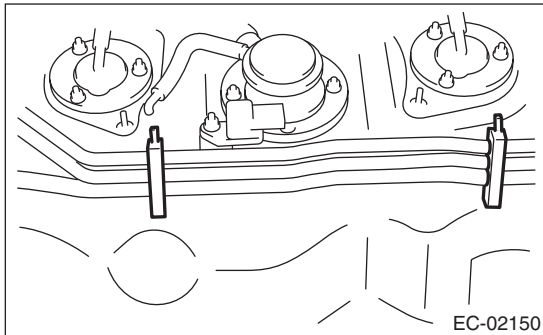
#### CAUTION:

Be careful not to spill fuel.

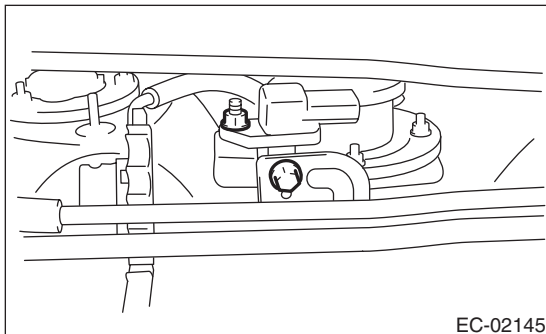
- 1) Remove the fuel tank. <Ref. to FU(H4SO)-45, REMOVAL, Fuel Tank.>
- 2) Remove the protect cover.



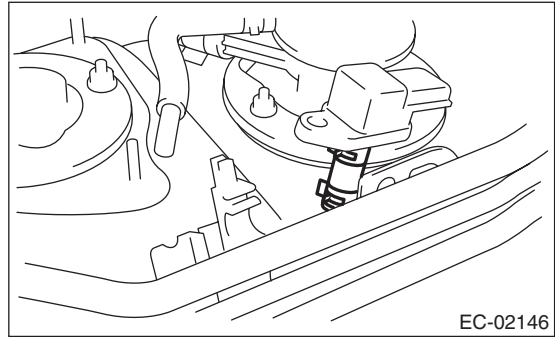
- 3) Disconnect the connector from the fuel tank pressure sensor.
- 4) Remove the clip which holds the fuel pipe to the fuel tank.



- 5) Remove the bolt and nut which secures the fuel tank pressure sensor to the bracket.



- 6) Disconnect the pressure hose from the fuel tank pressure sensor.

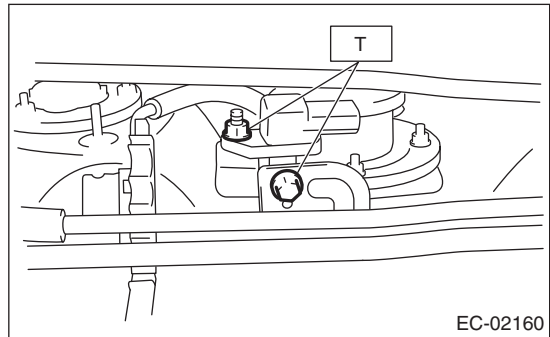


### B: INSTALLATION

Install in the reverse order of removal.

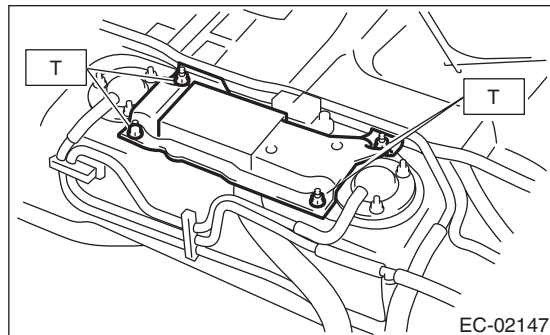
#### Tightening torque:

**7.4 N·m (0.75 kgf-m, 5.4 ft-lb)**



#### Tightening torque:

**4.4 N·m (0.45 kgf-m, 3.3 ft-lb)**



### C: INSPECTION

Make sure the hoses are not cracked or loose.