

Vent Valve

EMISSION CONTROL (AUX. EMISSION CONTROL DEVICES)

13.Vent Valve

A: REMOVAL

WARNING:

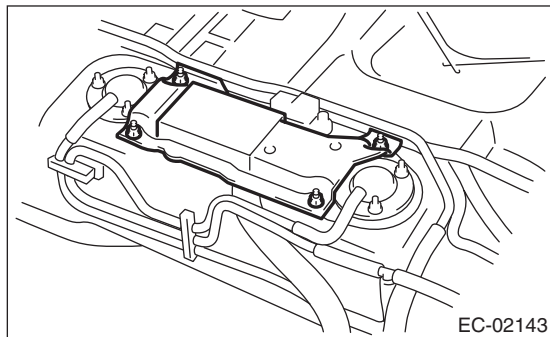
Place "NO FIRE" signs near the working area.

CAUTION:

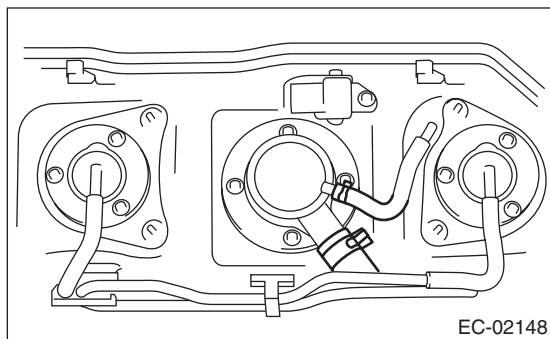
Be careful not to spill fuel.

1) Remove the fuel tank. <Ref. to FU(H4SO)-45, REMOVAL, Fuel Tank.>

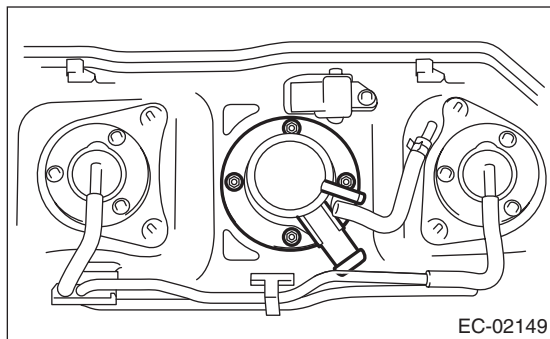
2) Remove the protect cover.



3) Remove the clip and disconnect the hose from the vent valve.



4) Remove the nut and then remove the vent valve.



B: INSTALLATION

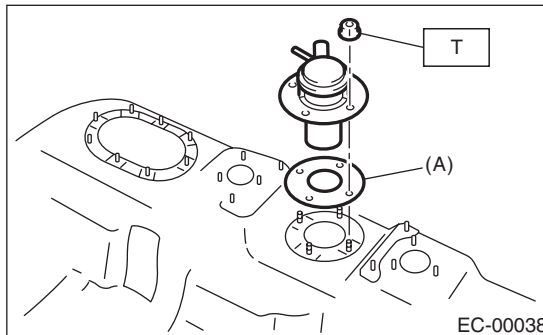
Install in the reverse order of removal.

NOTE:

Use a new gasket.

Tightening torque:

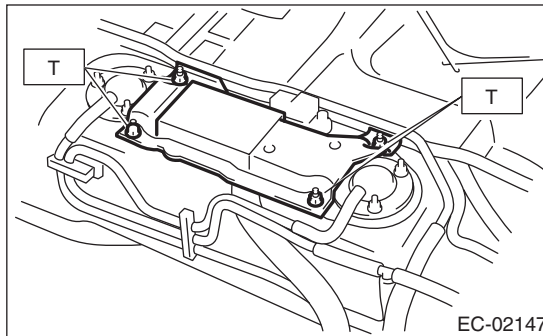
4.4 N·m (0.45 kgf·m, 3.3 ft·lb)



(A) Gasket

Tightening torque:

4.4 N·m (0.45 kgf·m, 3.3 ft·lb)



C: INSPECTION

Make sure the hoses are not cracked or loose.