

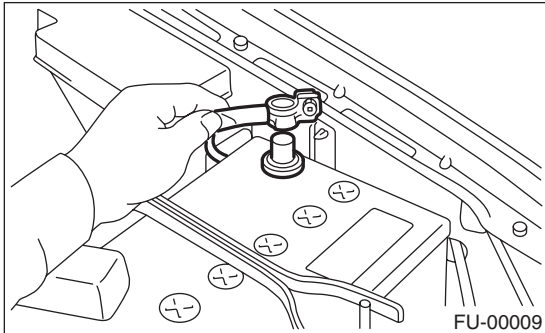
# Drain Valve

EMISSION CONTROL (AUX. EMISSION CONTROL DEVICES)

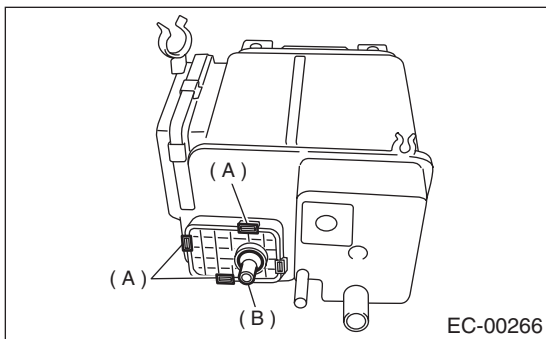
## 15. Drain Valve

### A: REMOVAL

- 1) Set the vehicle on a lift.
- 2) Disconnect the ground cable from the battery.



- 3) Lift-up the vehicle.
- 4) Remove the canisters. <Ref. to EC(H4SO)-6, REMOVAL, Canister.>
- 5) Disengage the clip (A), then remove the drain valve (B) from the canister.

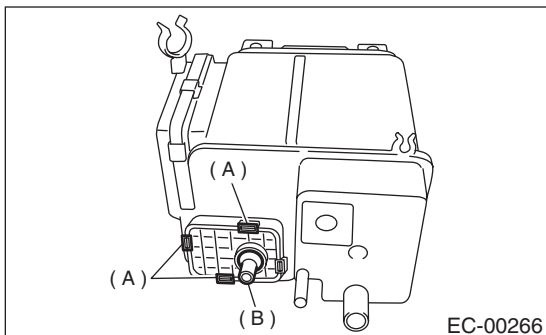


### B: INSTALLATION

Install in the reverse order of removal.

NOTE:

Replace clip (A) with a new part.



### C: INSPECTION

- 1) Make sure that all hoses are properly connected.
- 2) Make sure the hoses are not cracked or loose.