

Electrical Component Location

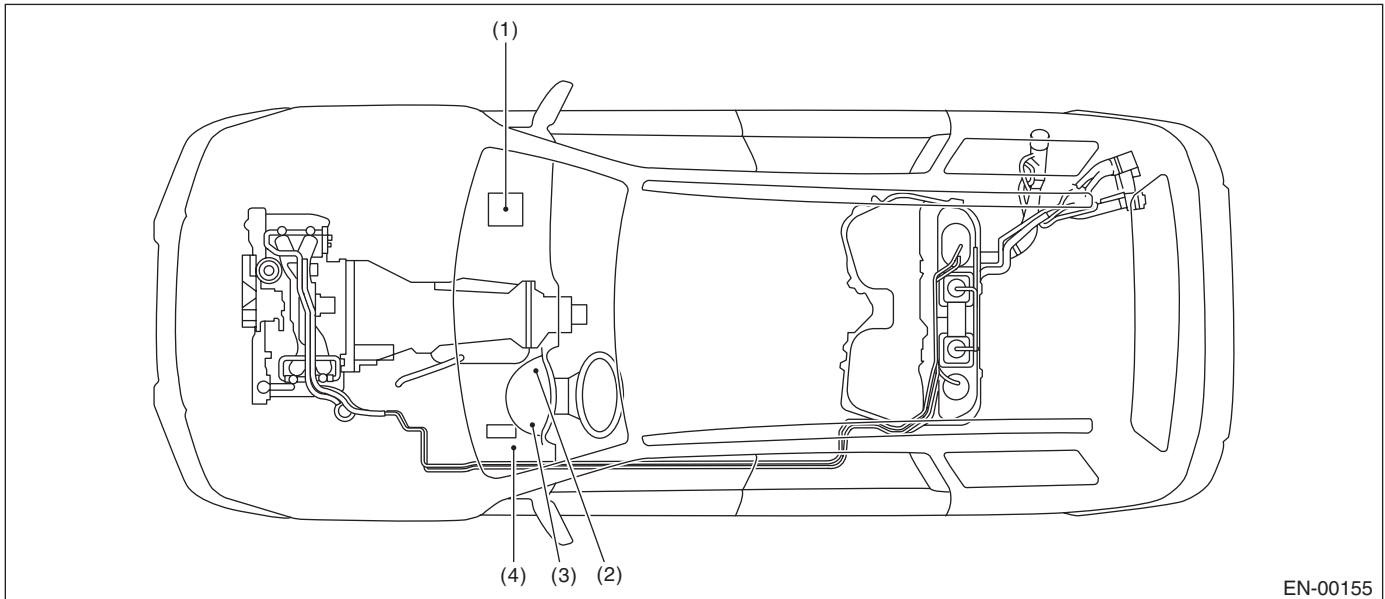
ENGINE (DIAGNOSTICS)

4. Electrical Component Location

A: LOCATION

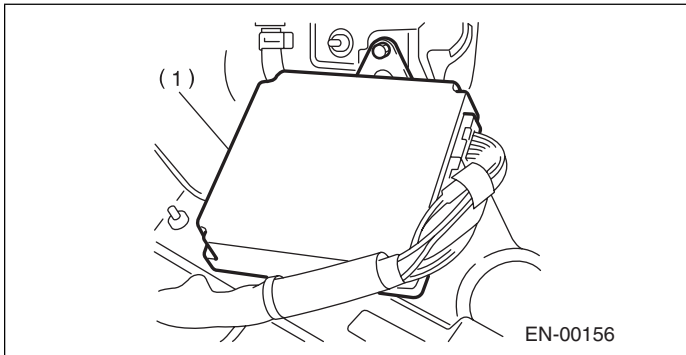
1. ENGINE

- Control module

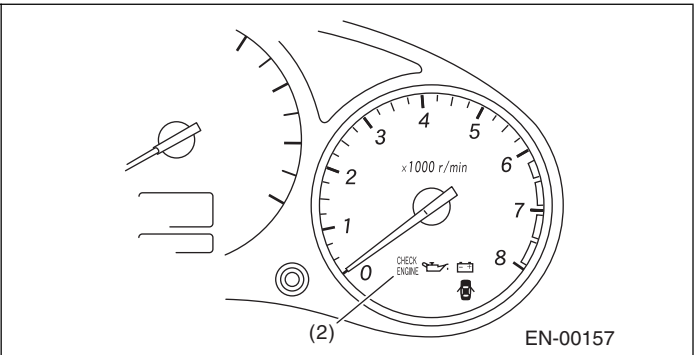


EN-00155

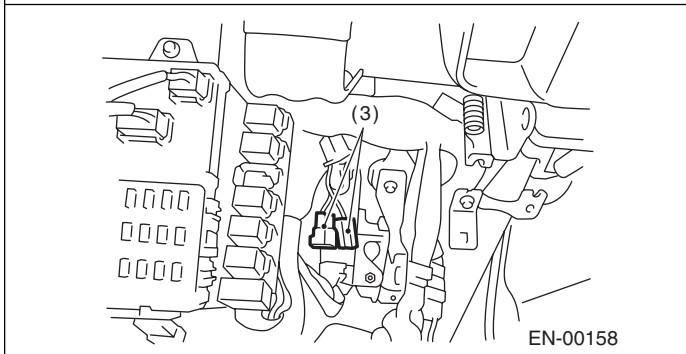
- (1) Engine control module (ECM) (3) Test mode connector (4) Data link connector
(2) Malfunction indicator light



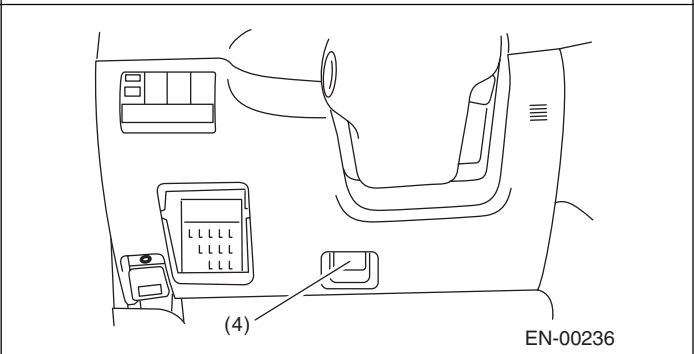
EN-00156



EN-00157



EN-00158

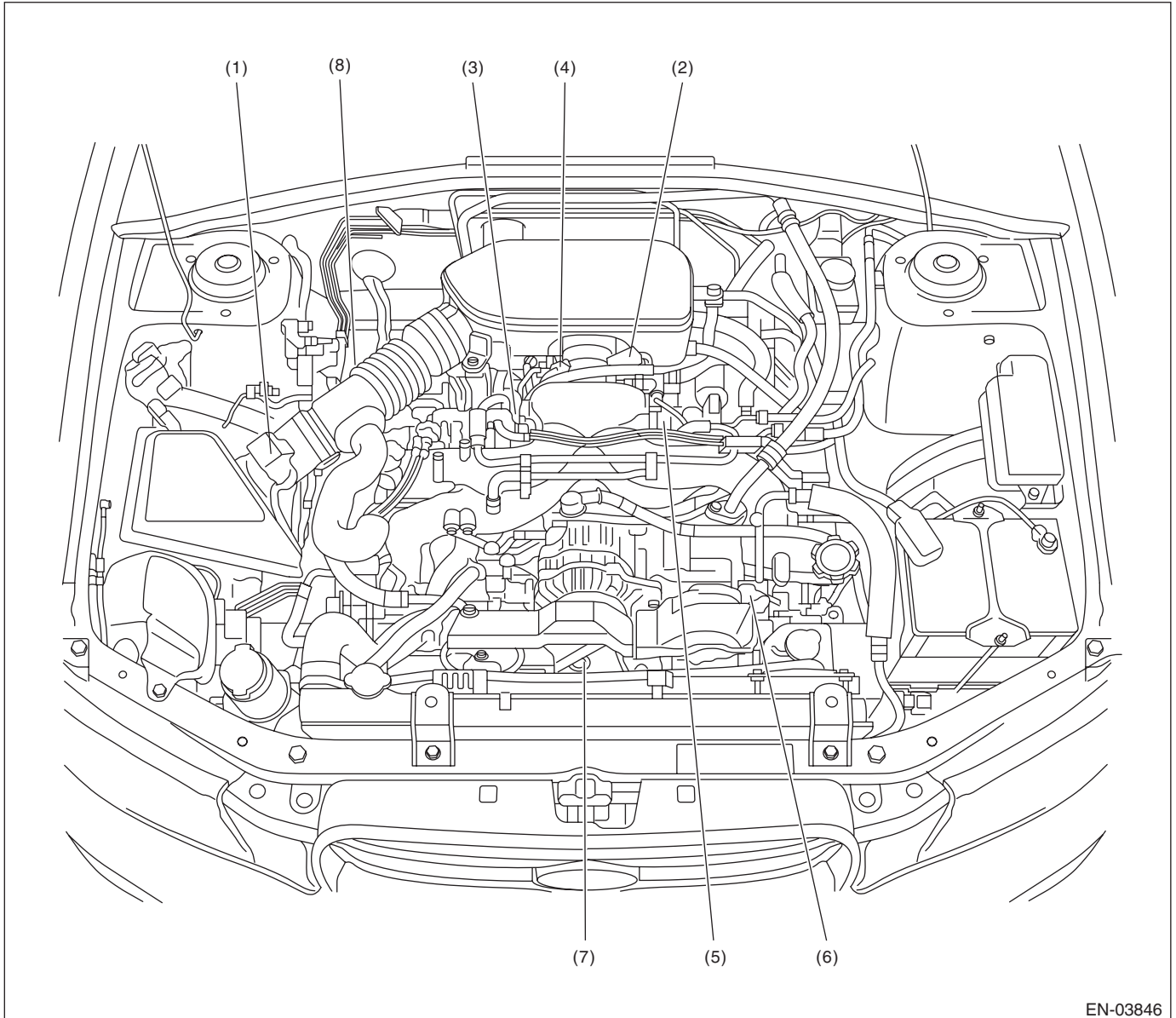


EN-00236

Electrical Component Location

ENGINE (DIAGNOSTICS)

- Sensor



(1) Mass air flow and intake air temperature sensor

(4) Throttle position sensor

(7) Crankshaft position sensor

(2) Manifold absolute pressure sensor

(5) Knock sensor

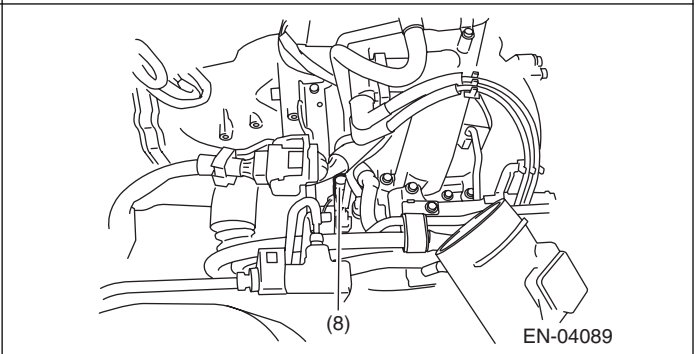
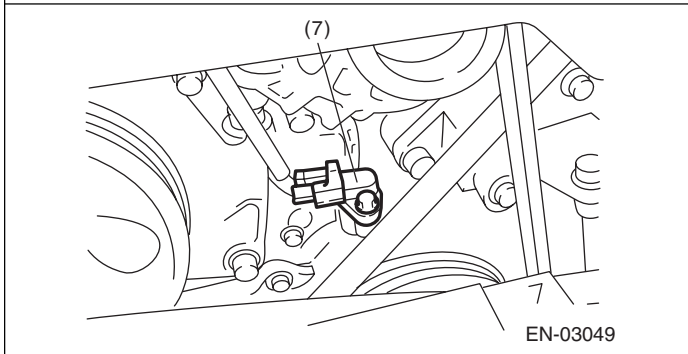
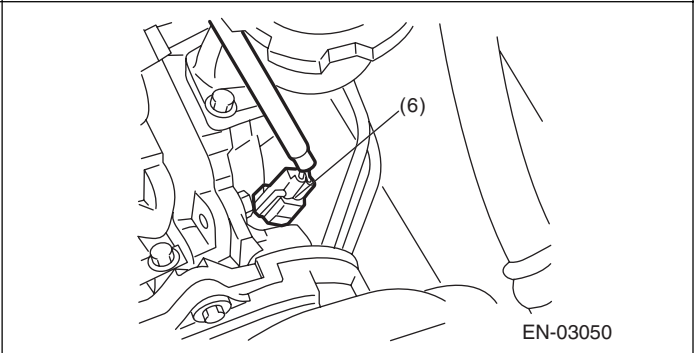
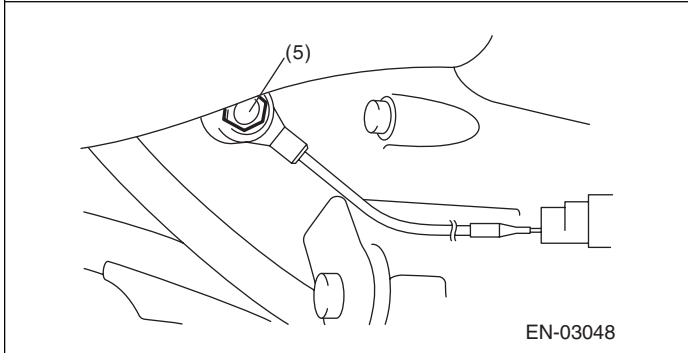
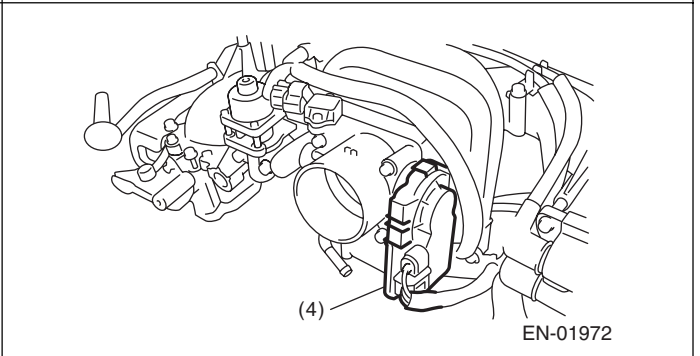
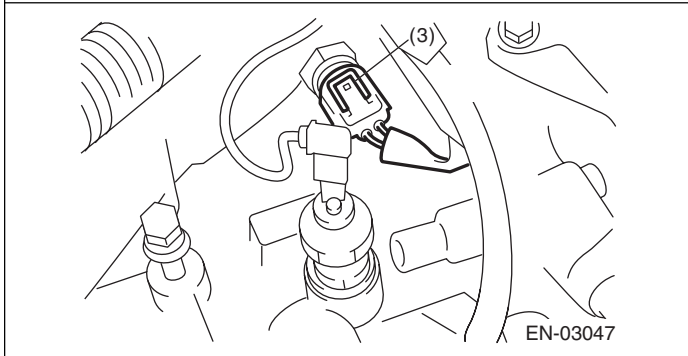
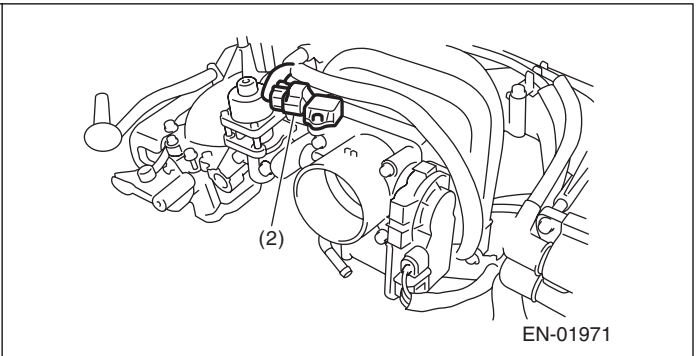
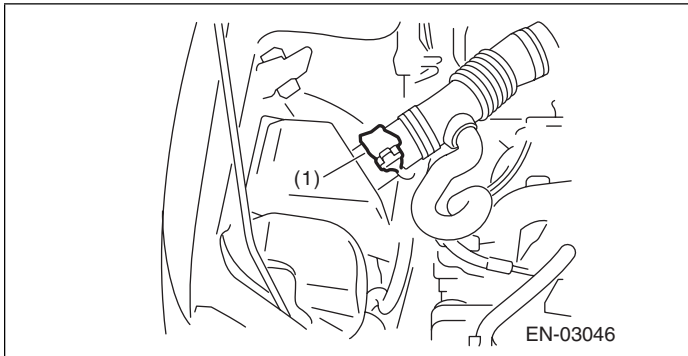
(8) Oil temperature sensor

(3) Engine coolant temperature sensor

(6) Camshaft position sensor

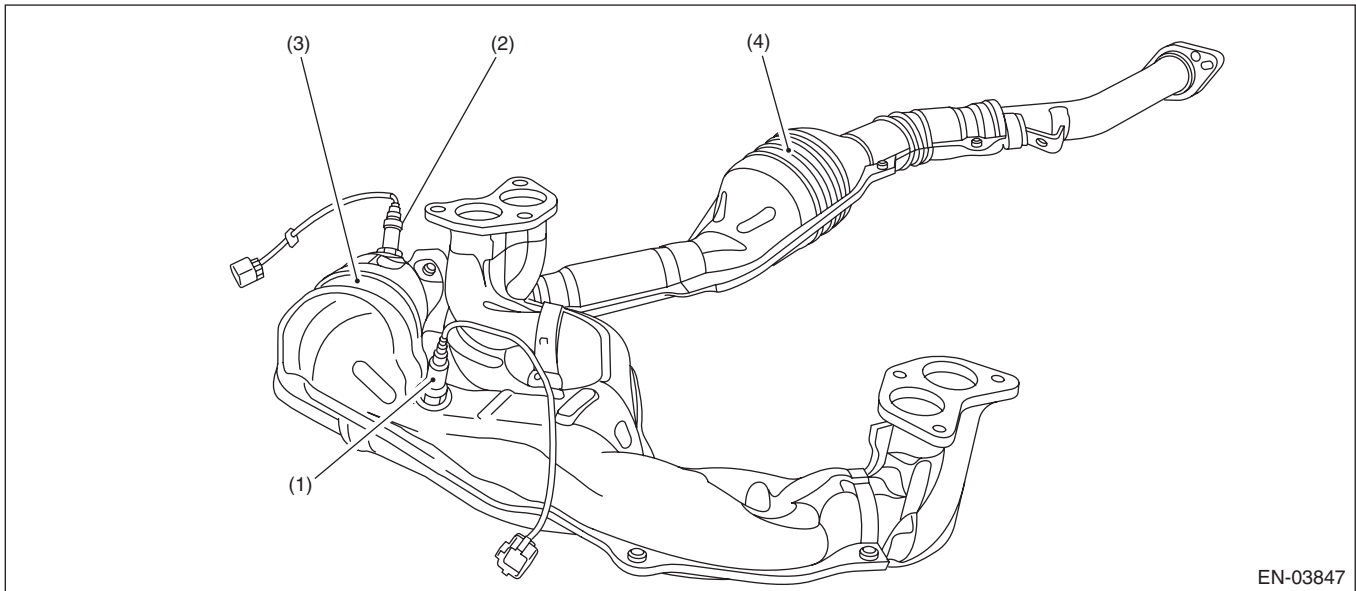
Electrical Component Location

ENGINE (DIAGNOSTICS)



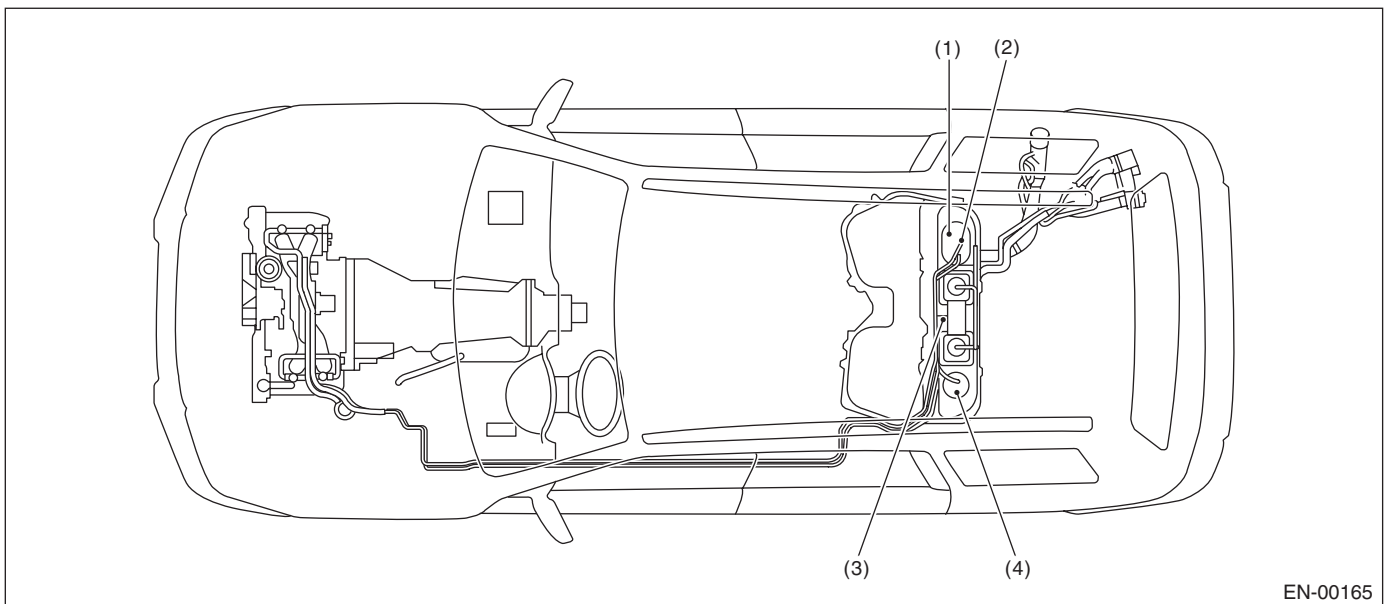
Electrical Component Location

ENGINE (DIAGNOSTICS)



EN-03847

- (1) Front oxygen (A/F) sensor
- (2) Rear oxygen sensor
- (3) Front catalytic converter
- (4) Rear catalytic converter

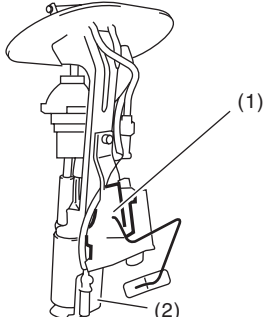
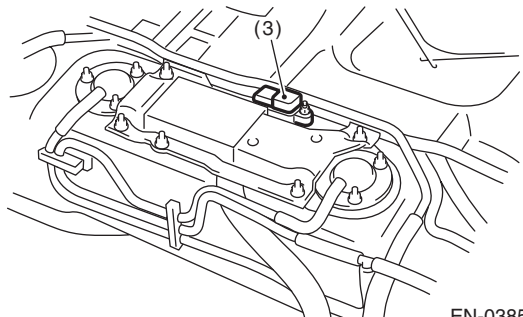
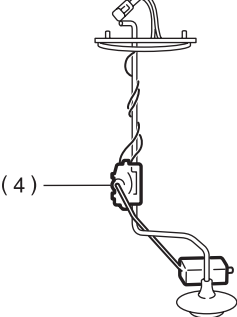


EN-00165

- (1) Fuel level sensor
- (2) Fuel temperature sensor
- (3) Fuel tank pressure sensor
- (4) Fuel sub level sensor

Electrical Component Location

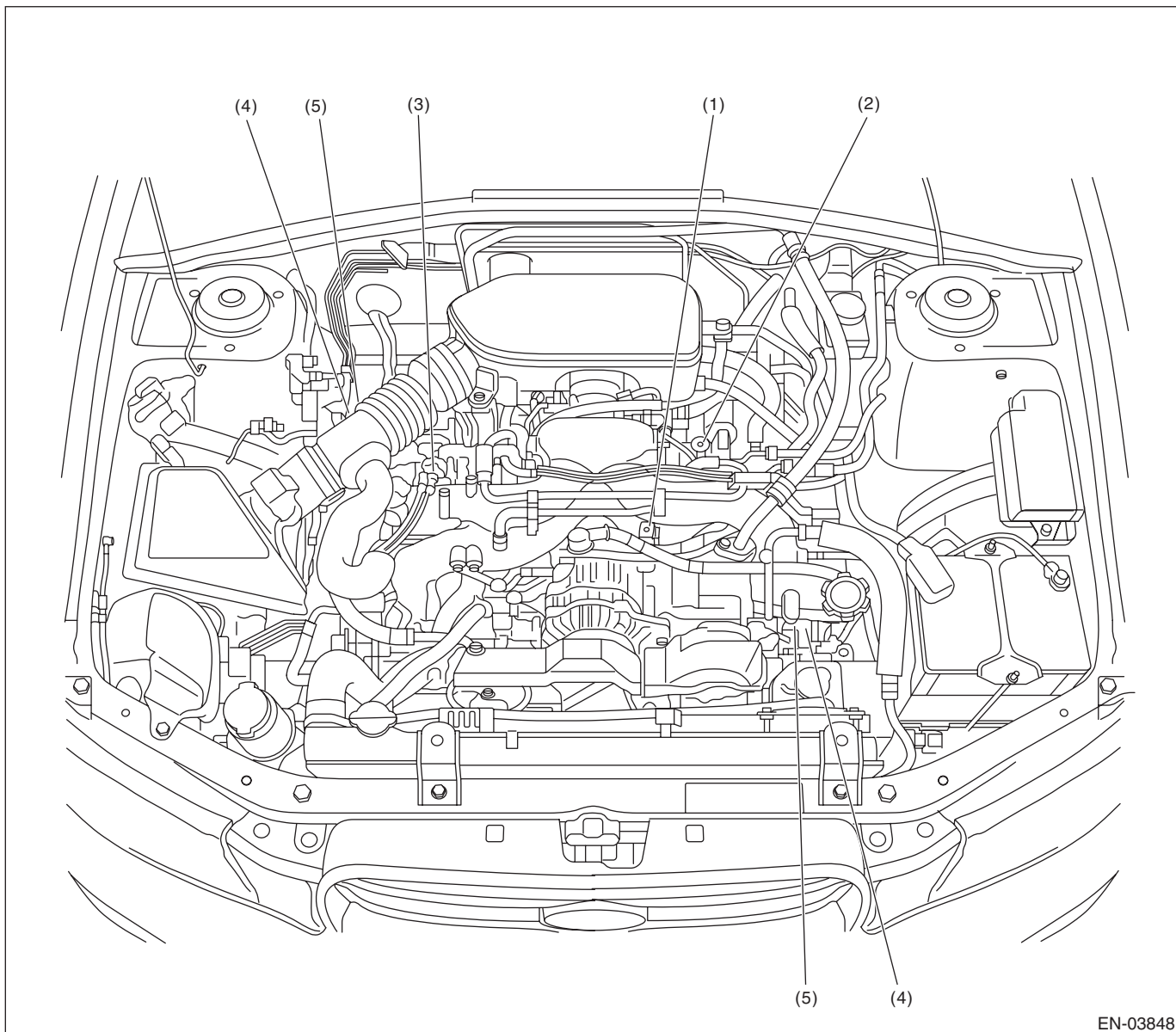
ENGINE (DIAGNOSTICS)

 <p>(1)</p> <p>(2)</p> <p>EN-03852</p>	 <p>(3)</p> <p>EN-03853</p>
 <p>(4)</p> <p>EN-00168</p>	<p>SUBARU.</p>

Electrical Component Location

ENGINE (DIAGNOSTICS)

- Solenoid valve, emission control system parts and ignition system parts



EN-03848

(1) Purge control solenoid valve

(3) Ignition coil and ignitor ASSY

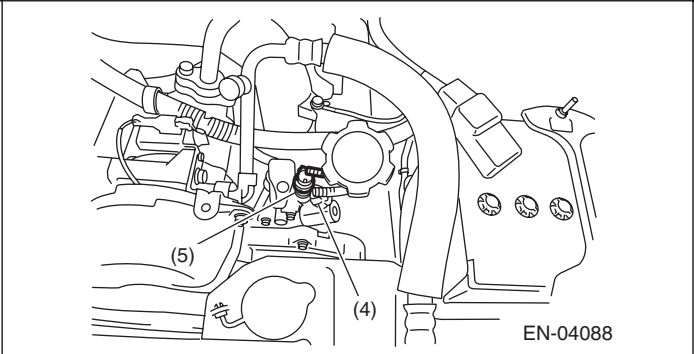
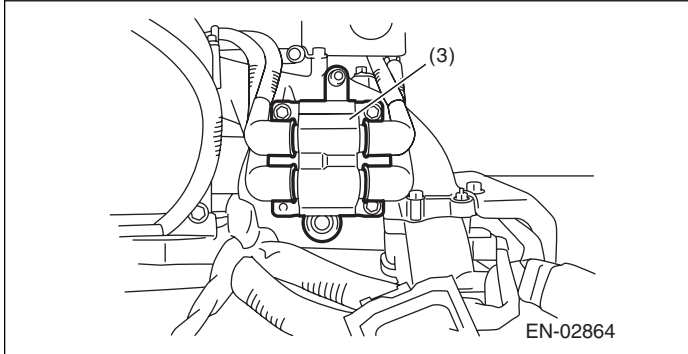
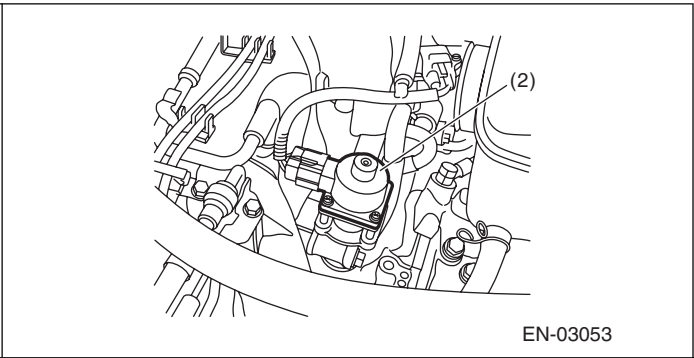
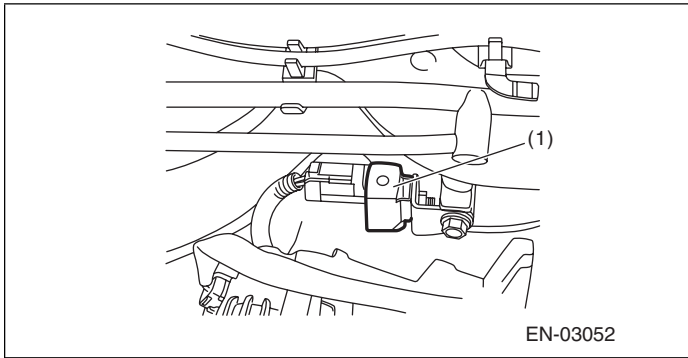
(5) Variable valve lift diagnosis oil pressure switch

(2) EGR valve

(4) Oil switching solenoid valve

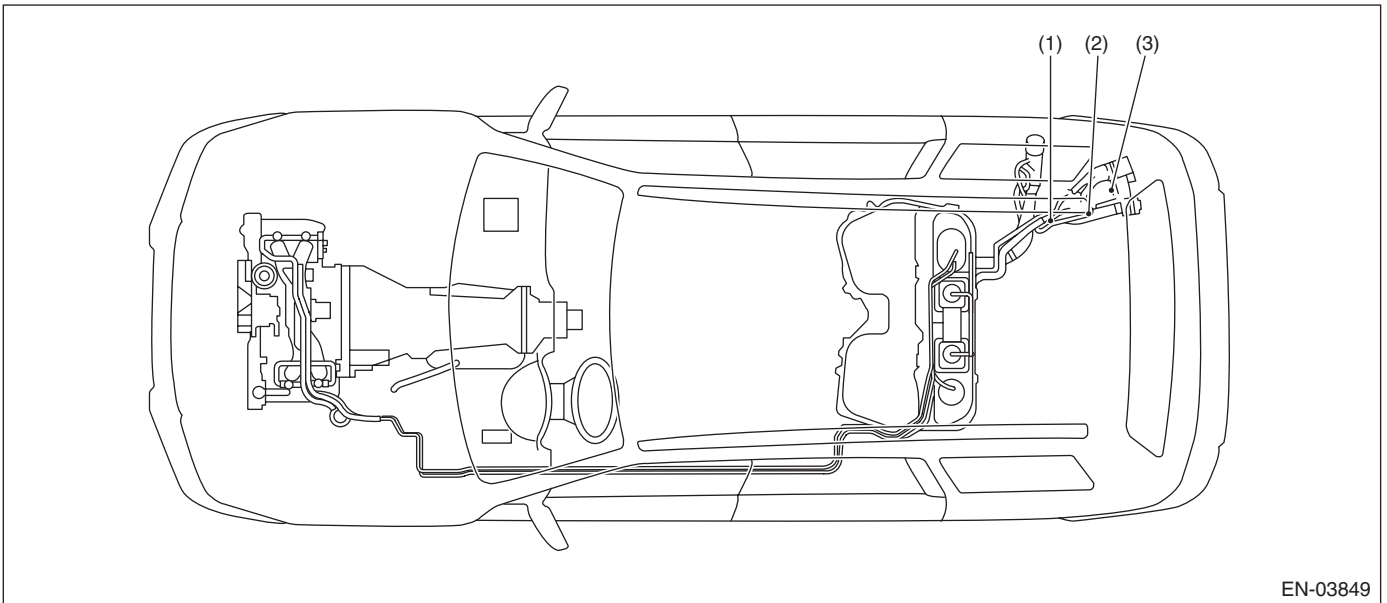
Electrical Component Location

ENGINE (DIAGNOSTICS)



Electrical Component Location

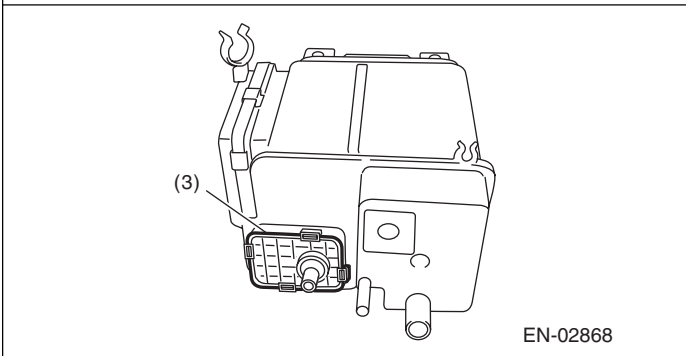
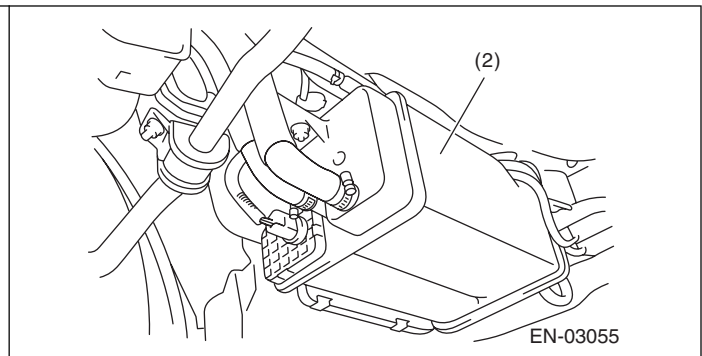
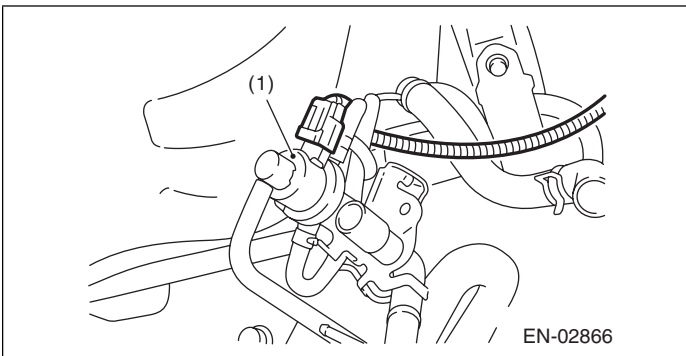
ENGINE (DIAGNOSTICS)



(1) Pressure control solenoid valve

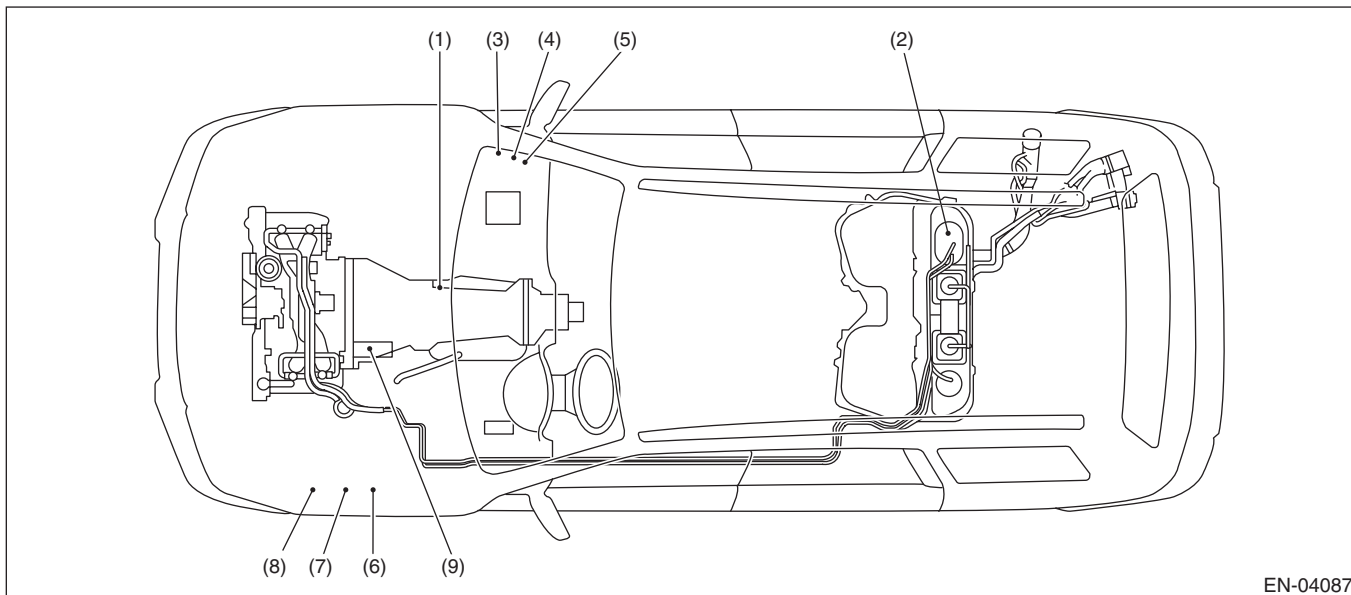
(2) Canister

(3) Drain valve

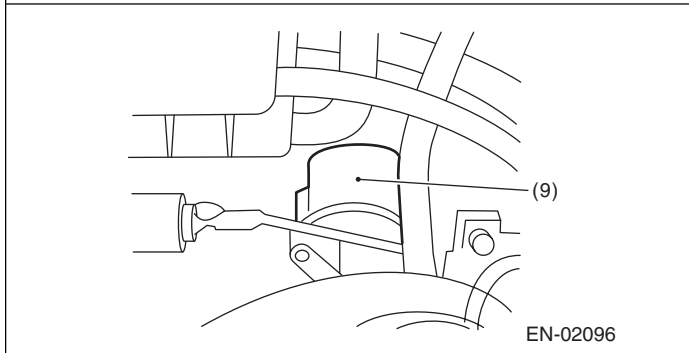
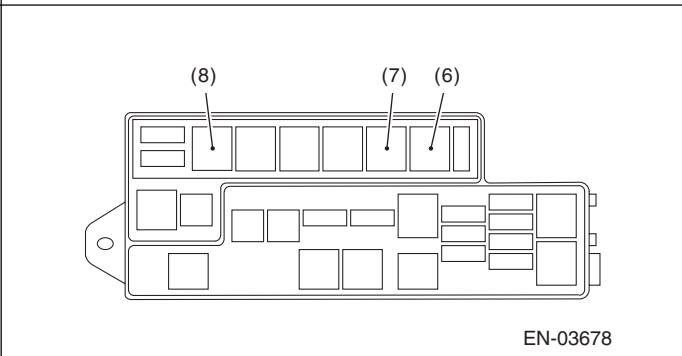
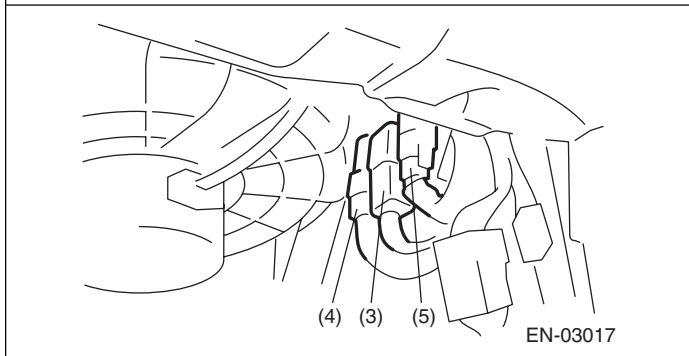
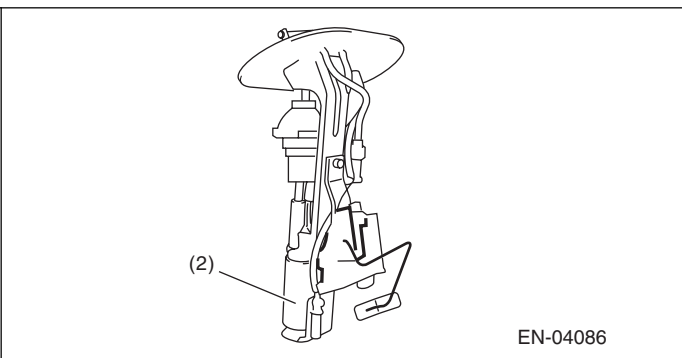
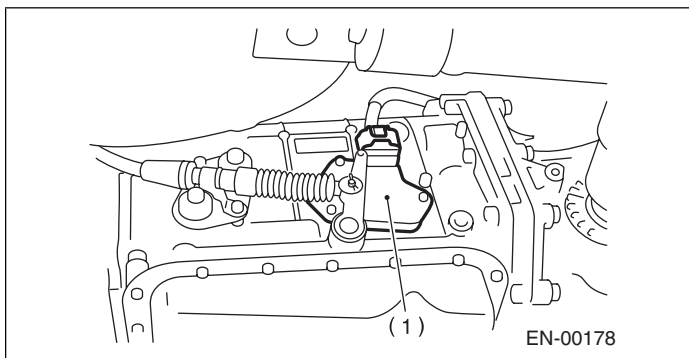


Electrical Component Location

ENGINE (DIAGNOSTICS)



- | | | |
|----------------------|---------------------------------------|----------------------------|
| (1) Inhibitor switch | (4) Fuel pump relay | (7) Radiator sub fan relay |
| (2) Fuel pump | (5) Electronic throttle control relay | (8) Fan mode relay |
| (3) Main relay | (6) Radiator main fan relay | (9) Starter |



SUBARU.