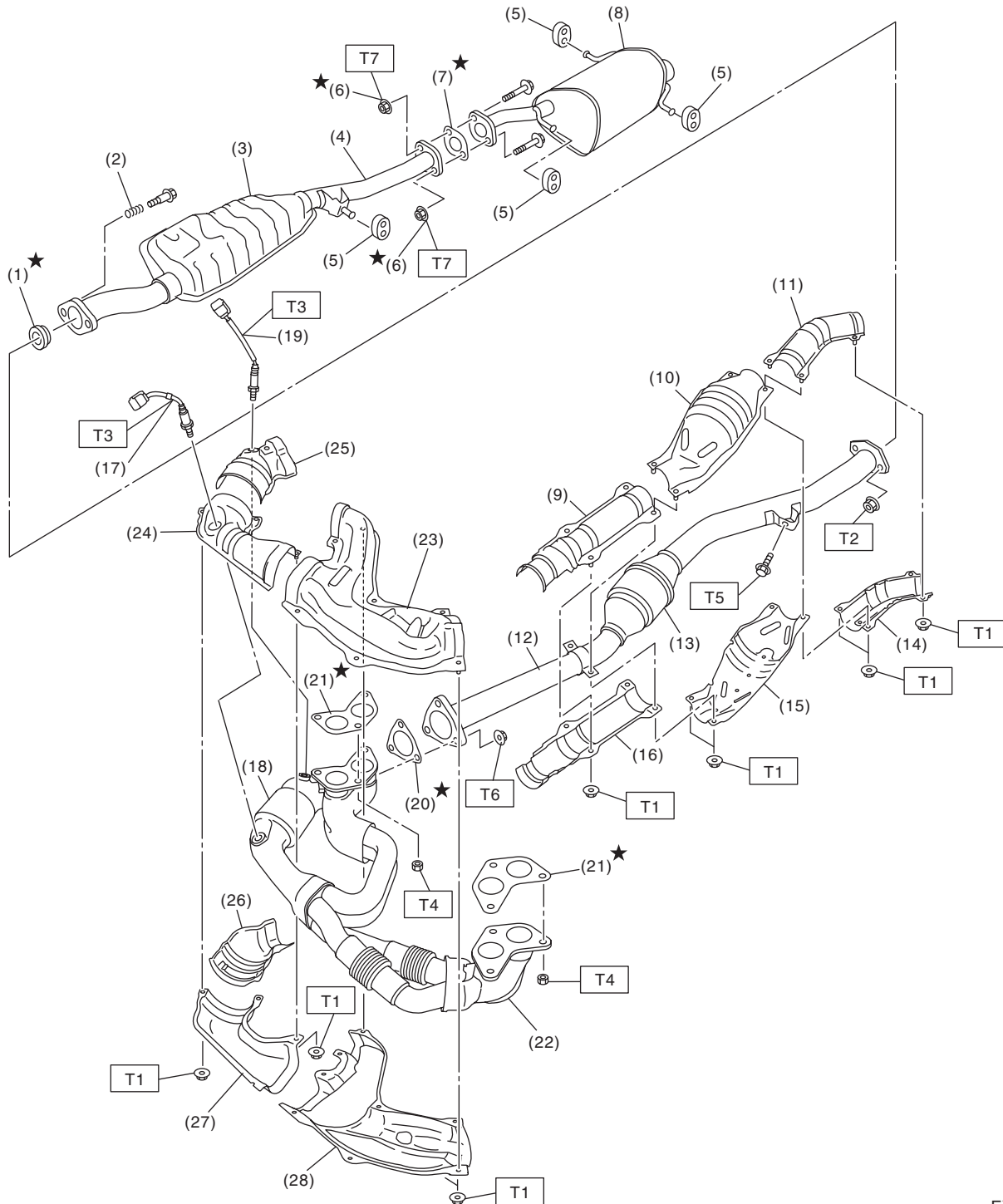


General Description

EXHAUST

1. General Description

A: COMPONENT



EX-02133

General Description

EXHAUST

(1) Gasket	(14) Center exhaust pipe rear lower cover	(25) Front catalytic converter upper cover
(2) Spring		
(3) Chamber	(15) Rear catalytic converter lower cover	(26) Front catalytic converter lower cover
(4) Rear exhaust pipe		
(5) Cushion rubber	(16) Center exhaust pipe front lower cover	(27) Front exhaust pipe lower cover RH
(6) Self-locking nut		
(7) Gasket	(17) Front oxygen (A/F) sensor	(28) Front exhaust pipe lower cover LH
(8) Muffler	(18) Front catalytic converter	
(9) Center exhaust pipe front upper cover	(19) Rear oxygen sensor	
(10) Rear catalytic converter upper cover	(20) Gasket	
(11) Center exhaust pipe rear upper cover	(21) Gasket	
	(22) Front exhaust pipe	
(12) Center exhaust pipe	(23) Front exhaust pipe upper cover LH	
(13) Rear catalytic converter	(24) Front exhaust pipe upper cover RH	

Tightening torque: N·m (kgf-m, ft-lb)

T1: 13 (1.3, 9.4)

T2: 18 (1.8, 13.0)

T3: 21 (2.1, 15.2)

T4: 30 (3.1, 22.4)

T5: 35 (3.6, 26.0)

T6: 40 (4.1, 29.5)

T7: 48 (4.9, 35.4)

B: CAUTION

- Wear appropriate work clothing, including a cap, protective goggles and protective shoes when performing any work.
- Remove contamination including dirt and corrosion before removal, installation or disassembly.
- Keep the disassembled parts in order and protect them from dust and dirt.
- Before removal, installation or disassembly, be sure to clarify the failure. Avoid unnecessary removal, installation, disassembly and replacement.
- Vehicle components are extremely hot after driving. Be wary of receiving burns from heated parts.
- Be sure to tighten fasteners including bolts and nuts to the specified torque.
- Place shop jacks or rigid racks at the specified points.
- Before disconnecting connectors of sensors or units, be sure to disconnect the ground cable from the battery.