

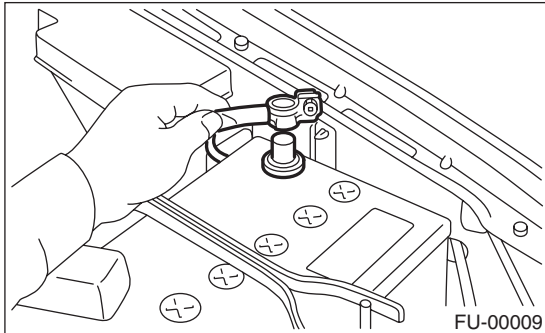
# Front Exhaust Pipe

## EXHAUST

### 2. Front Exhaust Pipe

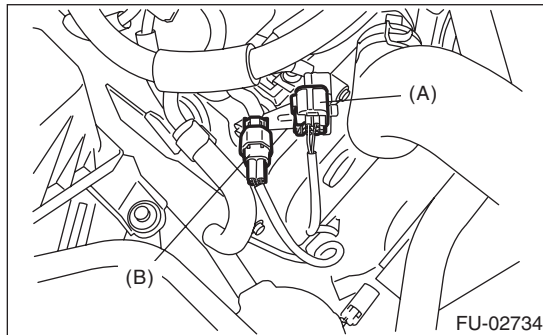
#### A: REMOVAL

- 1) Set the vehicle on a lift.
- 2) Disconnect the ground cable from the battery.



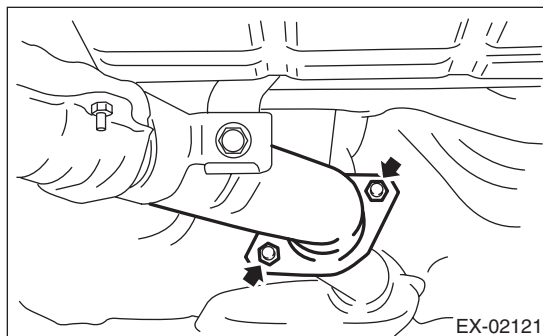
- 3) Unclip the clip fastening the harness and disconnect the following connectors.

- (1) Front oxygen (A/F) sensor connector
- (2) Rear oxygen sensor connector



- (A) Front oxygen (A/F) sensor connector  
(B) Rear oxygen sensor connector

- 4) Lift-up the vehicle.
- 5) Separate the center exhaust pipe from rear exhaust pipe.

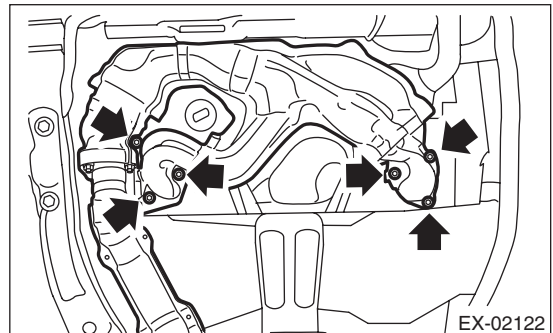


- 6) Remove the under cover.

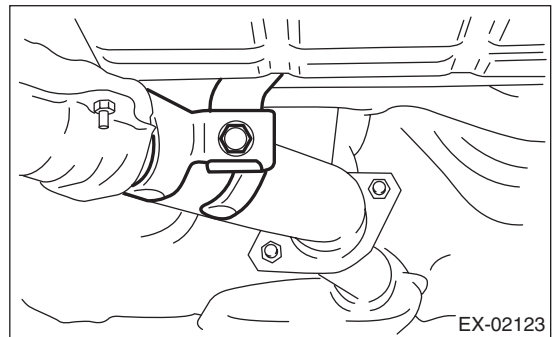
- 7) Remove the nuts which hold front exhaust pipe onto cylinder heads.

#### CAUTION:

Be careful not to pull down the front and center exhaust pipe assembly.



- 8) Remove the bolt which holds center exhaust pipe to hanger bracket.



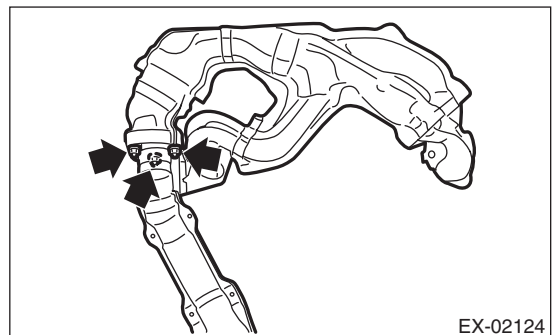
- 9) Remove the front and center exhaust pipe assembly from the vehicle.

#### CAUTION:

Be careful not to let the front and center exhaust pipe assembly fall off when removing as it is quite heavy.

After removing the front and center exhaust pipe assembly, do not apply excessive pulling force on the rear exhaust pipe.

- 10) Separate the front exhaust pipe from center exhaust pipe.



- 11) Remove the front oxygen (A/F) sensor and rear oxygen sensor. <Ref. to FU(H4SO)-36, REMOVAL, Front Oxygen (A/F) Sensor.> <Ref. to FU(H4SO)-38, REMOVAL, Rear Oxygen Sensor.>

## B: INSTALLATION

1) Install the front oxygen (A/F) sensor and rear oxygen sensor to the front exhaust pipe. <Ref. to FU(H4SO)-36, INSTALLATION, Front Oxygen (A/F) Sensor.> <Ref. to FU(H4SO)-38, INSTALLATION, Rear Oxygen Sensor.>

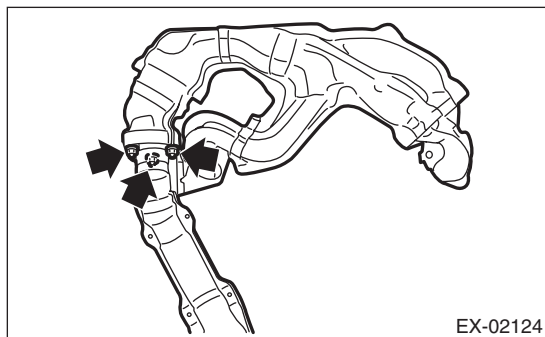
2) Install the front exhaust pipe to center exhaust pipe.

NOTE:

Use a new gasket.

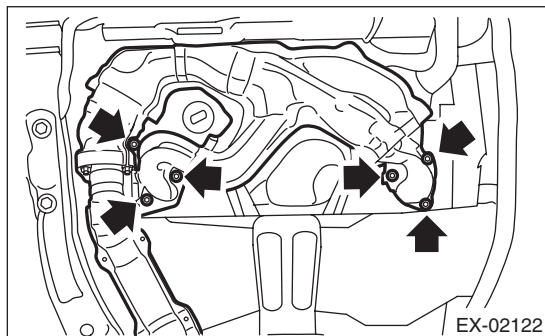
**Tightening torque:**

**40 N·m (4.1 kgf-m, 29.5 ft-lb)**



3) Install the front and center exhaust pipe assembly to the vehicle.

4) Temporarily tighten the nuts which hold front exhaust pipe to cylinder heads.



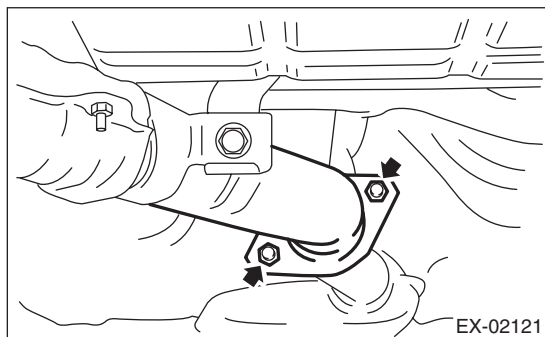
5) Tighten the bolt which holds the center exhaust pipe to exhaust pipe.

NOTE:

Use a new gasket.

**Tightening torque:**

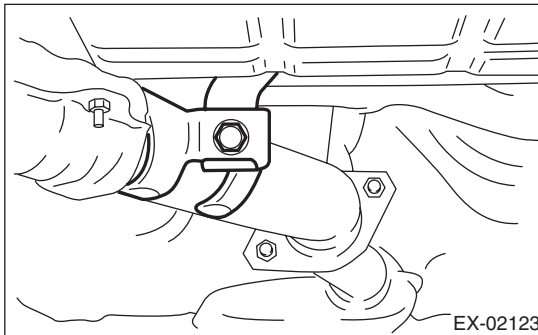
**18 N·m (1.8 kgf-m, 13.0 ft-lb)**



6) Tighten the bolt which holds center exhaust pipe to hanger bracket.

**Tightening torque:**

**35 N·m (3.6 kgf-m, 26.0 ft-lb)**



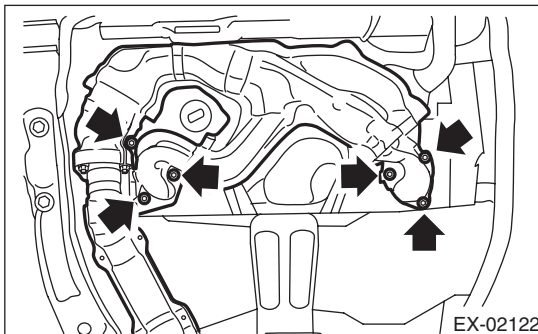
7) Tighten the nuts which hold front exhaust pipe to cylinder heads.

NOTE:

Use a new gasket.

**Tightening torque:**

**30 N·m (3.1 kgf-m, 22.4 ft-lb)**



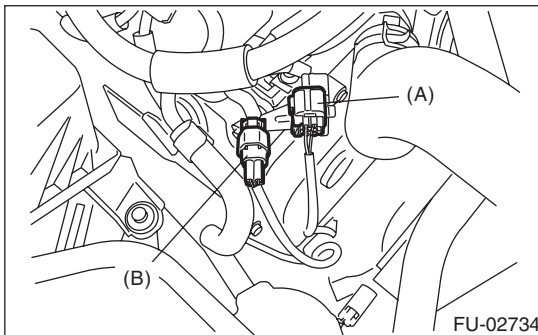
8) Install the under cover.

9) Lower the vehicle.

10) Connect the following connectors.

(1) Front oxygen (A/F) sensor connector

(2) Rear oxygen sensor connector



(A) Front oxygen (A/F) sensor connector

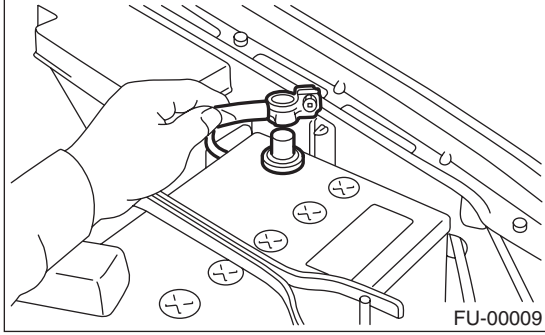
(B) Rear oxygen sensor connector

# Front Exhaust Pipe

## EXHAUST

---

11) Connect the ground cable to the battery.



### **C: INSPECTION**

- 1) Check the connections and welds for exhaust leaks.
- 2) Check for hole or rust.