

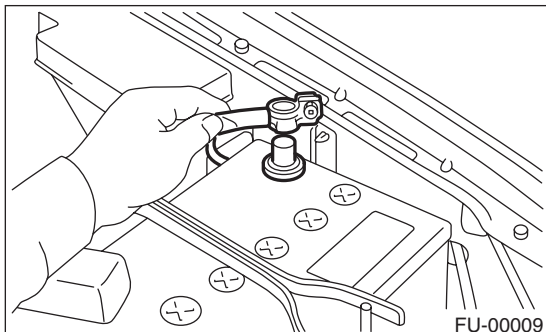
Engine Coolant Temperature Sensor

FUEL INJECTION (FUEL SYSTEMS)

4. Engine Coolant Temperature Sensor

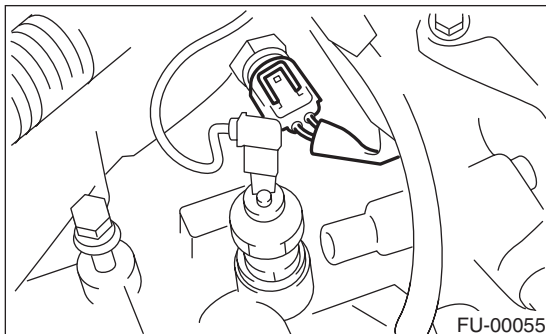
A: REMOVAL

1) Disconnect the ground cable from the battery.



2) Remove the generator. <Ref. to SC (H4SO)-14, REMOVAL, Generator.>

3) Disconnect the connectors from the engine coolant temperature sensor.



4) Remove the engine coolant temperature sensor.

B: INSTALLATION

Install in the reverse order of removal.

NOTE:

Use a new gasket.

Tightening torque:

18 N·m (1.8 kgf·m, 13.0 ft·lb)