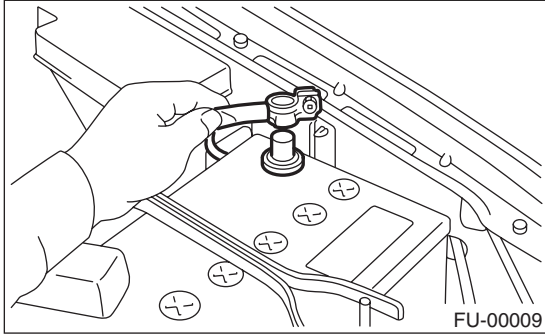


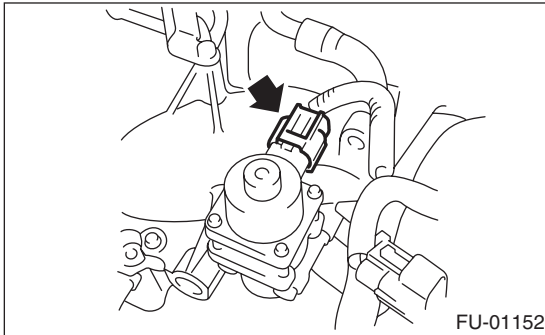
## 11.EGR Valve

### A: REMOVAL

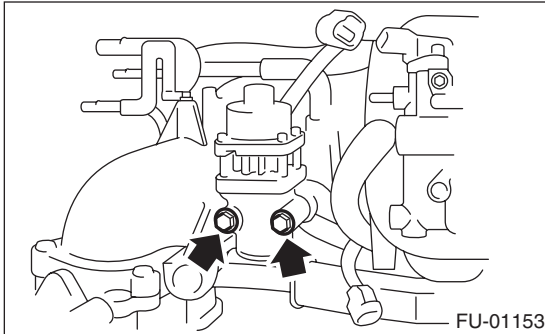
- 1) Disconnect the ground cable from the battery.



- 2) Disconnect the connector from EGR valve.



- 3) Remove the EGR valve from intake manifold.



### B: INSTALLATION

Install in the reverse order of removal.

NOTE:

Use a new gasket.

**Tightening torque:**

**19 N·m (1.9 kgf-m, 14.0 ft-lb)**