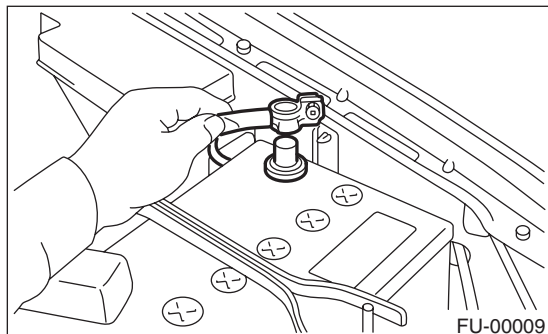


## 14. Oil Temperature Sensor

### A: REMOVAL

1) Disconnect the ground cable from the battery.

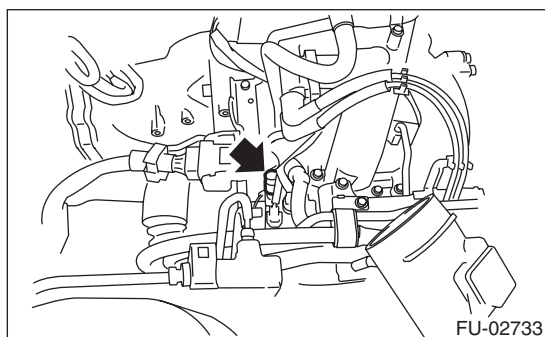


2) Remove the air intake chamber. <Ref. to IN (H4SO)-6, REMOVAL, Air Intake Chamber.>

3) Remove the engine harness connector from the bracket.

4) Disconnect the connector from engine oil temperature sensor.

5) Remove the oil temperature sensor.



### B: INSTALLATION

Install in the reverse order of removal.

**Tightening torque:**

**18 N·m (1.8 kgf·m, 13.3 ft·lb)**