

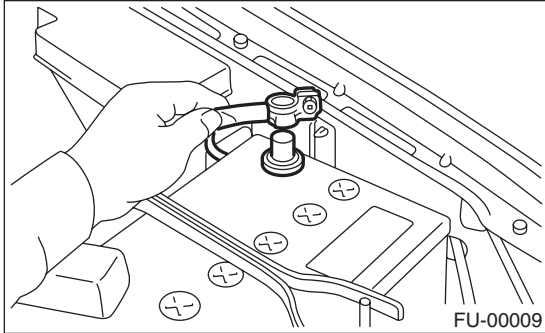
Front Oxygen (A/F) Sensor

FUEL INJECTION (FUEL SYSTEMS)

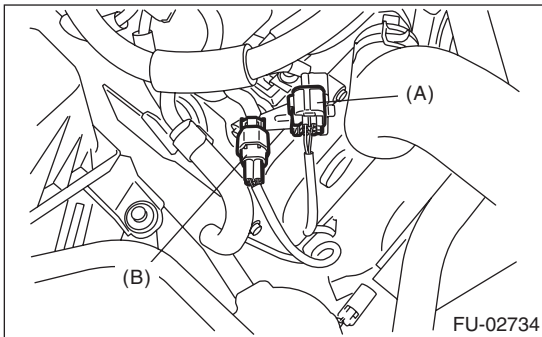
15. Front Oxygen (A/F) Sensor

A: REMOVAL

- 1) Set the vehicle on a lift.
- 2) Disconnect the ground cable from the battery.



- 3) Remove the clip fastening the harness and disconnect the front oxygen (A/F) sensor connector.

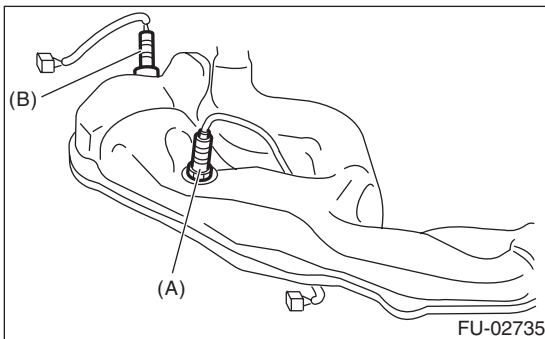


- (A) Front oxygen (A/F) sensor connector
- (B) Rear oxygen sensor connector

- 4) Lift-up the vehicle.
- 5) Remove the under cover.
- 6) Apply spray-type lubricant to the threaded portion of front oxygen (A/F) sensor, and leave it for one minute or more.
- 7) Remove the front oxygen (A/F) sensor.

CAUTION:

When removing the front oxygen (A/F) sensor, wait until exhaust pipe cools, because it can damage the exhaust pipe.



- (A) Front oxygen (A/F) sensor
- (B) Rear oxygen sensor

B: INSTALLATION

- 1) Before installing front oxygen (A/F) sensor, apply anti-seize compound only to the threaded portion of front oxygen (A/F) sensor to make the next removal easier.

CAUTION:

Never apply anti-seize compound to the protector of front oxygen (A/F) sensor.

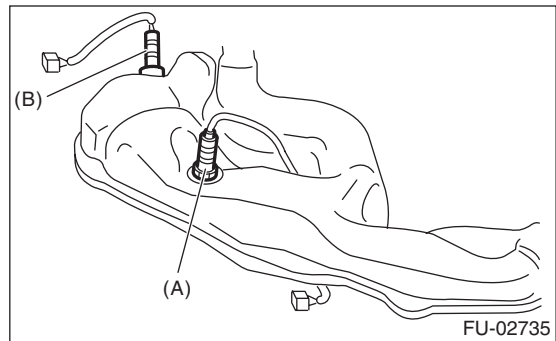
Anti-seize compound:

NEVER-SEEZ NSN, JET LUBE SS-30 or the equivalent

- 2) Install the front oxygen (A/F) sensor.

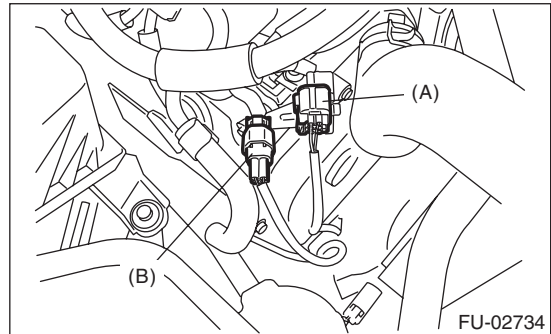
Tightening torque:

21 N·m (2.1 kgf-m, 15.2 ft-lb)



- (A) Front oxygen (A/F) sensor
- (B) Rear oxygen sensor

- 3) Install the under cover.
- 4) Lower the vehicle.
- 5) Connect the connector of front oxygen (A/F) sensor connector and fasten the harness with clips.



- (A) Front oxygen (A/F) sensor connector
- (B) Rear oxygen sensor connector

Front Oxygen (A/F) Sensor

FUEL INJECTION (FUEL SYSTEMS)

6) Connect the ground cable to the battery.

