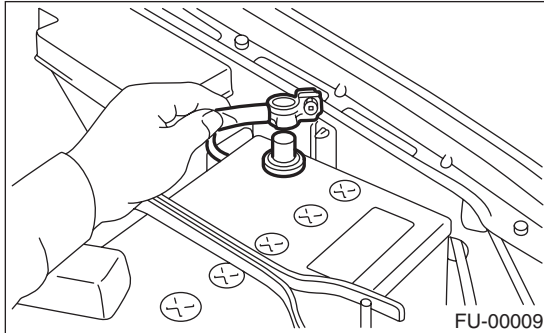


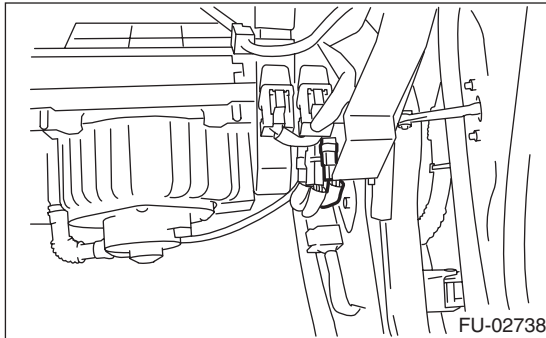
20. Electronic Throttle Control Relay

A: REMOVAL

- 1) Disconnect the ground cable from the battery.



- 2) Remove the glove box. <Ref. to EI-36, REMOVAL, Glove Box.>
- 3) Remove the passenger's side front side sill cover.
- 4) Disconnect the connector from electric throttle control relay.



- 5) Remove the electronic throttle control relay from the mounting bracket.

B: INSTALLATION

Install in the reverse order of removal.