

Fuel Filler Pipe

FUEL INJECTION (FUEL SYSTEMS)

23. Fuel Filler Pipe

A: REMOVAL

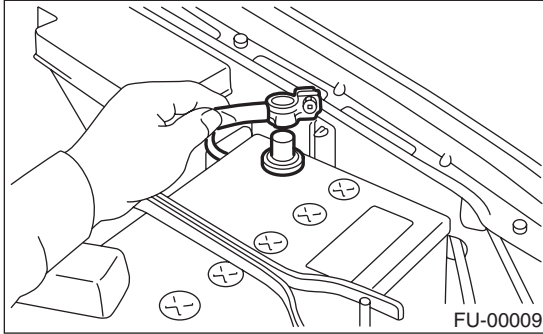
WARNING:

Place "NO FIRE" signs near the working area.

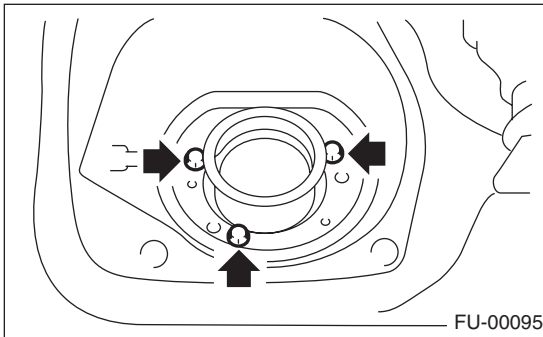
CAUTION:

Be careful not to spill fuel.

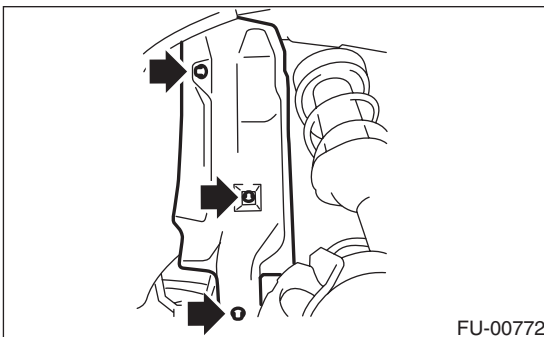
- 1) Set the vehicle on a lift.
- 2) Disconnect the ground cable from the battery.



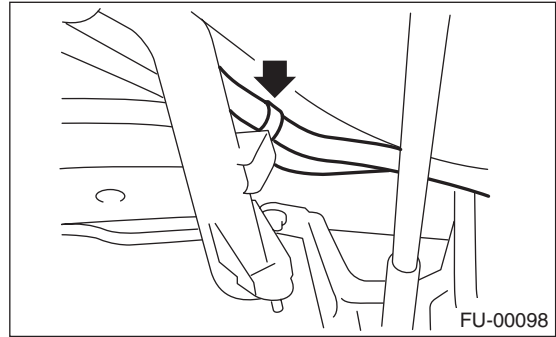
- 3) Open the fuel filler flap lid, and remove the filler cap.
- 4) Remove the screws which secure packing.



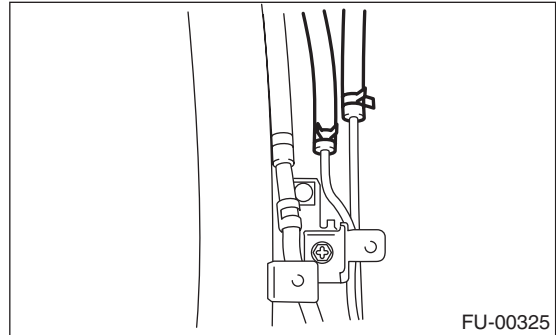
- 5) Remove the rear wheel RH.
- 6) Lift-up the vehicle.
- 7) Drain fuel from fuel tank.
<Ref. to FU(H4SO)-44, DRAINING FUEL, PROCEDURE, Fuel.>
- 8) Remove the fuel filler pipe protector.



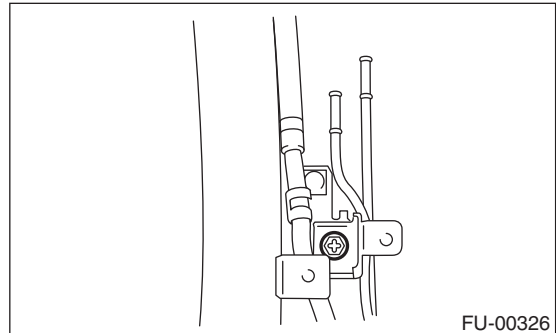
- 9) Disconnect the evaporation hose from the clip of fuel filler pipe.



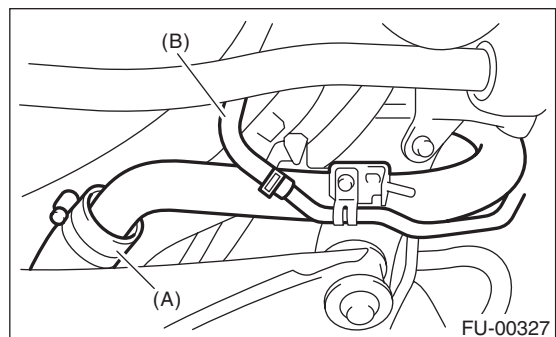
- 10) Disconnect the evaporation hose from fuel pipe.



- 11) Remove the bolts which hold fuel filler pipe bracket on the body.



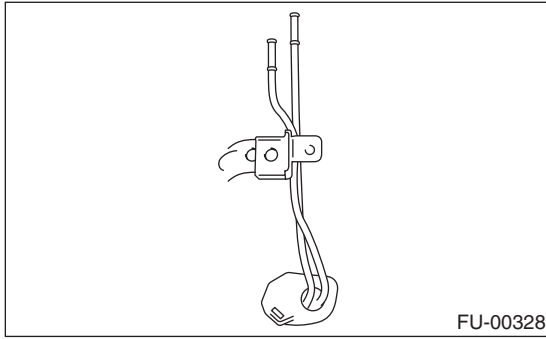
- 12) Loosen the clamp and separate the fuel filler hose (A) from the fuel filler pipe.
- 13) Move the clip and disconnect the evaporation hose (B).



- 14) Remove the fuel filler pipe to the underside of the vehicle.

Fuel Filler Pipe

15) Remove the evaporation pipe together with clip from the body.

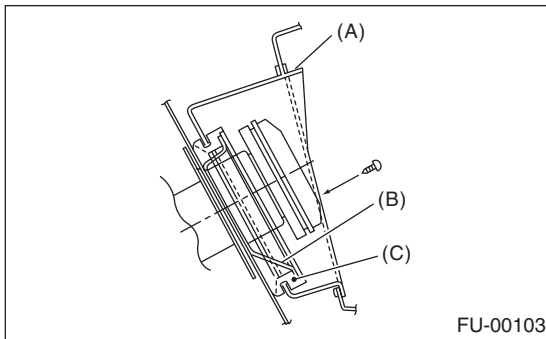


B: INSTALLATION

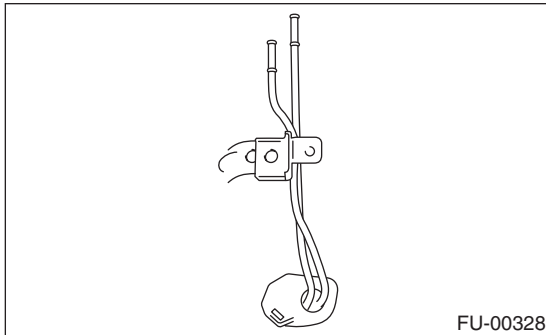
- 1) Open the fuel filler flap lid.
- 2) Set the fuel saucer (A) with rubber packing (C), and insert the fuel filler pipe into hole from the inner side of apron.
- 3) Align the holes in fuel filler pipe neck and set the cup (B), and tighten the screws.

NOTE:

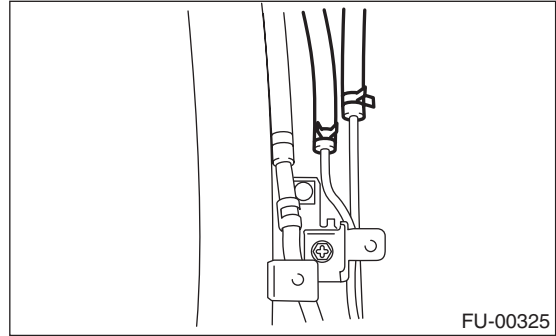
If the edges of rubber packing are folded toward the inside, straighten it with a screwdriver.



4) Install the evaporation pipe.



5) Connect the evaporation hose to the fuel pipe.

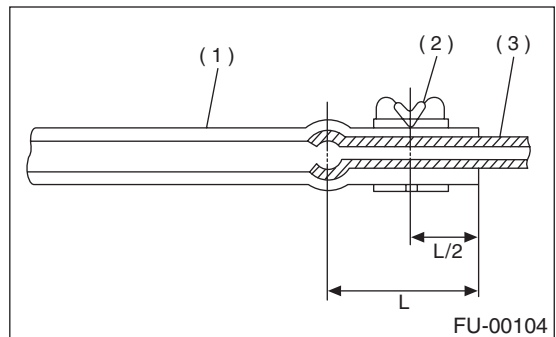
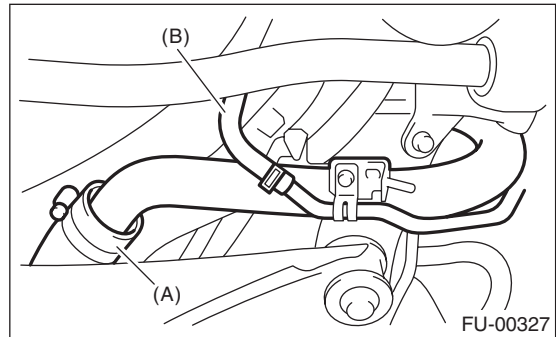


6) Connect the fuel filler hose (A) to the pipe with an overlap of 35 to 40 mm (1.38 to 1.57 in).

7) Connect the evaporation hose (B) to the pipe with an overlap of 25 to 30 mm (0.98 to 1.18 in).

CAUTION:

Do not allow clips to touch evaporation hose (B) and rear suspension crossmember.



- (1) Hose
- (2) Clip
- (3) Pipe

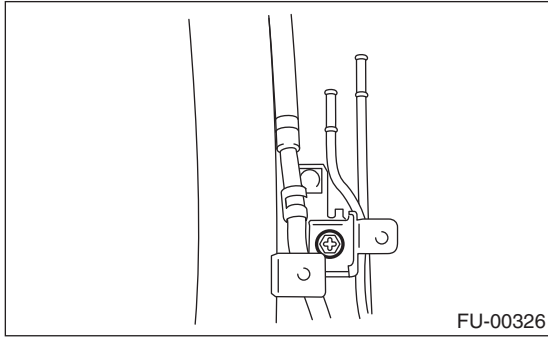
Fuel Filler Pipe

FUEL INJECTION (FUEL SYSTEMS)

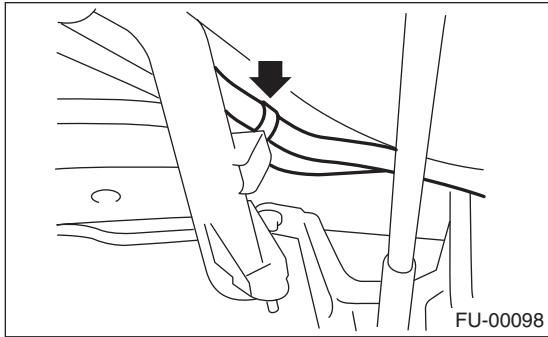
8) Tighten the bolts which hold fuel filler pipe bracket on the body.

Tightening torque:

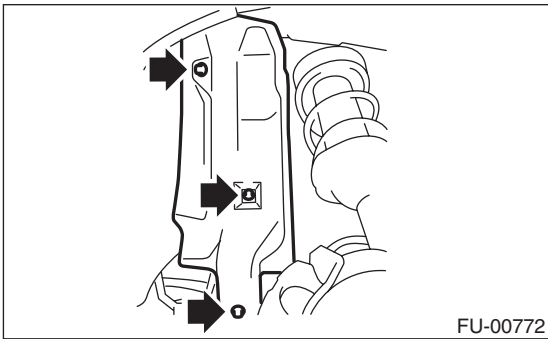
7.5 N·m (0.76 kgf·m, 5.5 ft·lb)



9) Fasten the evaporation hoses to the clip of fuel filler pipe.



10) Install the fuel filler pipe protector.



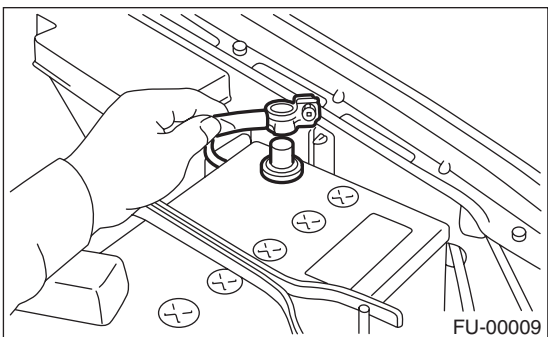
11) Lower the vehicle.

12) Install the rear wheel RH.

Tightening torque:

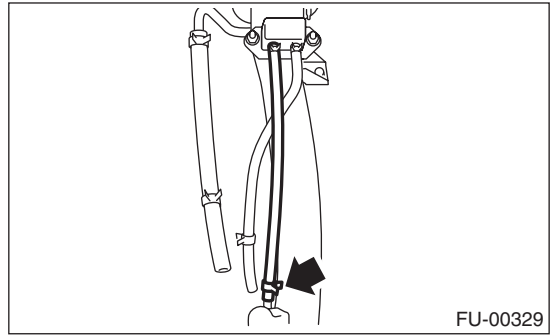
100 N·m (10.2 kgf·m, 73.8 ft·lb)

13) Connect the ground cable to the battery.

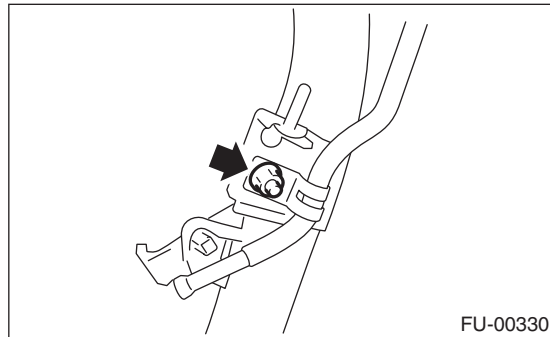


C: DISASSEMBLY

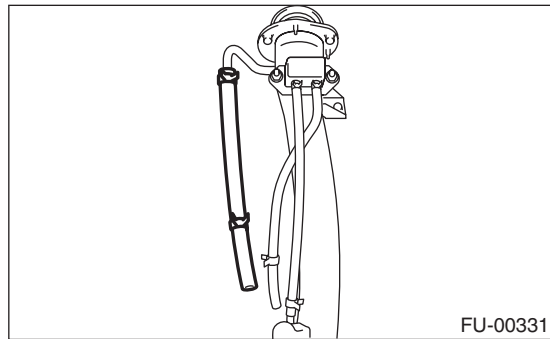
1) Move the clamp and disconnect the evaporation hose from the joint pipe.



2) Remove the bolts which install the joint pipe to the fuel filler pipe.



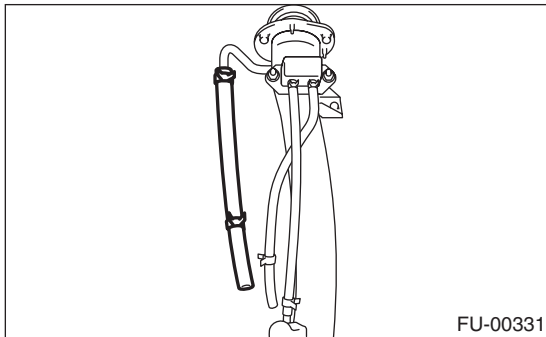
3) Disconnect the evaporation hose from fuel filler pipe.



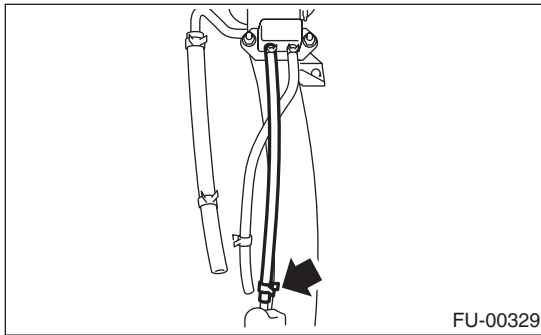
4) Remove the shut valve from the fuel filler pipe.
<Ref. to EC(H4SO)-16, REMOVAL, Shut Valve.>

D: ASSEMBLY

- 1) Install the shut pipe to the fuel filler pipe. <Ref. to EC(H4SO)-16, INSTALLATION, Shut Valve.>
- 2) Connect the evaporation hose to the fuel filler pipe.



- 3) Connect the evaporation hose to the evaporation pipe.



- 4) Install the evaporation pipe to the fuel filler pipe.

