

26. Fuel Sub Level Sensor

A: REMOVAL

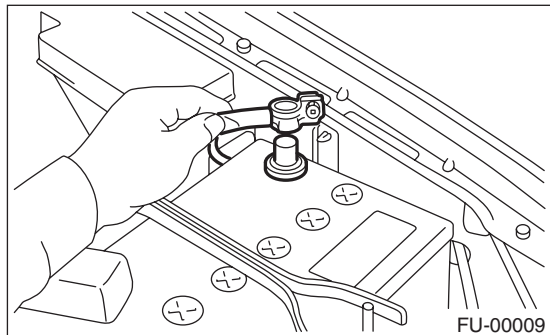
WARNING:

Place "NO FIRE" signs near the working area.

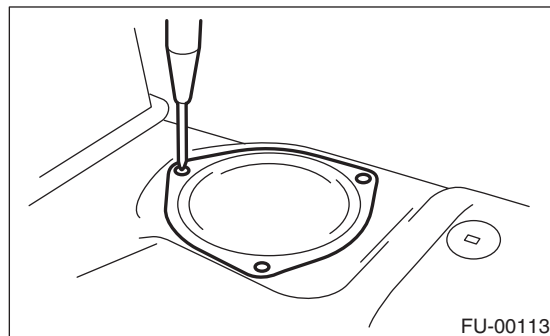
CAUTION:

Be careful not to spill fuel.

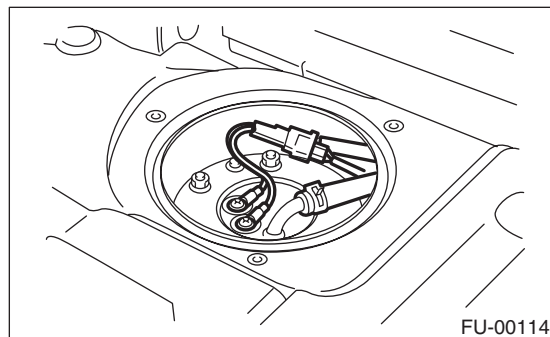
- 1) Set the vehicle on a lift.
- 2) Disconnect the ground cable from the battery.



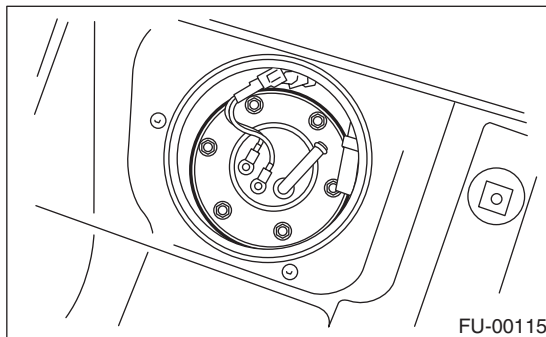
- 3) Lift-up the vehicle.
- 4) Drain fuel from fuel tank.
<Ref. to FU(H4SO)-44, DRAINING FUEL, PROCEDURE, Fuel.>
- 5) Remove the luggage floor mat. <Ref. to EI-49, REMOVAL, Luggage Floor Mat.>
- 6) Remove the service hole cover.



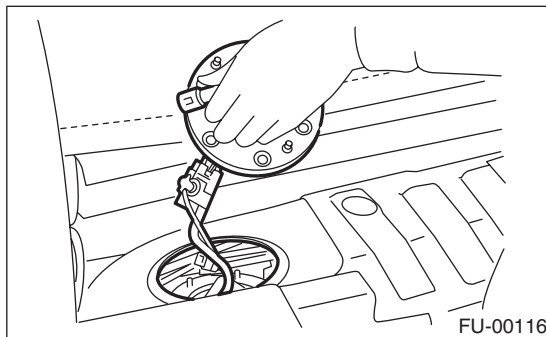
- 7) Disconnect the connector from the fuel sub level sensor.
- 8) Disconnect the fuel jet pump hose.



- 9) Remove the bolts which install fuel sub level sensor on fuel tank.



- 10) Remove the fuel sub level sensor.



B: INSTALLATION

Install in the reverse order of removal while being careful of the following.

- Make sure the sealing portion is free from fuel or foreign matter before installation.
- Tighten the bolts in the sequence shown in the figure to the specified torque.

NOTE:

Use a new gasket.

Tightening torque:

4.4 N·m (0.45 kgf-m, 3.3 ft-lb)