

Fuel Filter

FUEL INJECTION (FUEL SYSTEMS)

27. Fuel Filter

A: REMOVAL

WARNING:

Place “NO FIRE” signs near the working area.

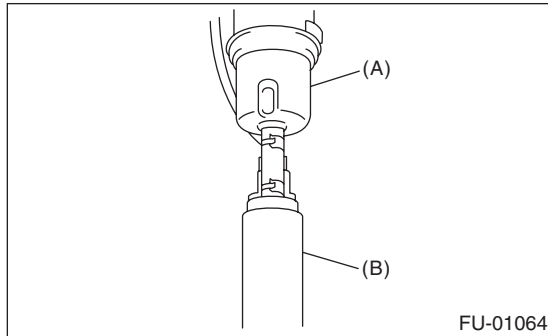
CAUTION:

Be careful not to spill fuel.

NOTE:

The fuel filter is assembled in fuel pump assembly.

- 1) Remove the fuel pump assembly. <Ref. to FU(H4SO)-52, REMOVAL, Fuel Pump.>
- 2) Separate the fuel pump and fuel filter.



(A) Fuel filter

(B) Fuel pump

B: INSTALLATION

CAUTION:

If fuel hoses or clamps are damaged, replace them with new parts.

Install in the reverse order of removal.

C: INSPECTION

- 1) Check the inside of fuel filter for dirt and water sediment.
- 2) If it is clogged, or if the replacement interval has been reached, replace it.