

28. Fuel Cut Valve

A: REMOVAL

WARNING:

Place "NO FIRE" signs near the working area.

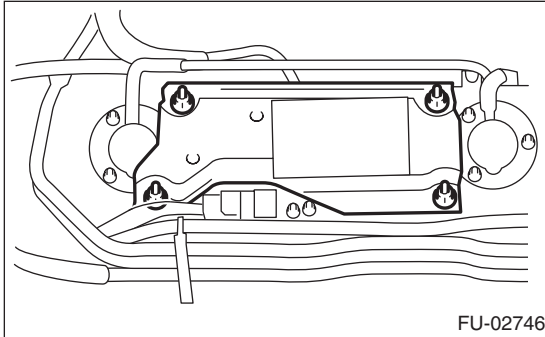
CAUTION:

Be careful not to spill fuel.

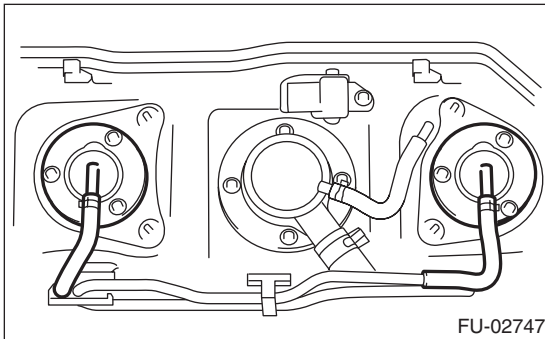
1) Remove the fuel tank.

<Ref. to FU(H4SO)-45, REMOVAL, Fuel Tank.>

2) Remove the protect cover.



3) Move the clip and disconnect the evaporation hose from the fuel cut valve.



4) Remove the bolts which install the fuel cut valve.

B: INSTALLATION

Install in the reverse order of removal while being careful of the following.

- Make sure the sealing portion is free from fuel or foreign matter before installation.

NOTE:

Use a new gasket.

Tightening torque:

4.4 N·m (0.45 kgf-m, 3.3 ft-lb)

