

30. Fuel Delivery, Return and Evaporation Lines

A: REMOVAL

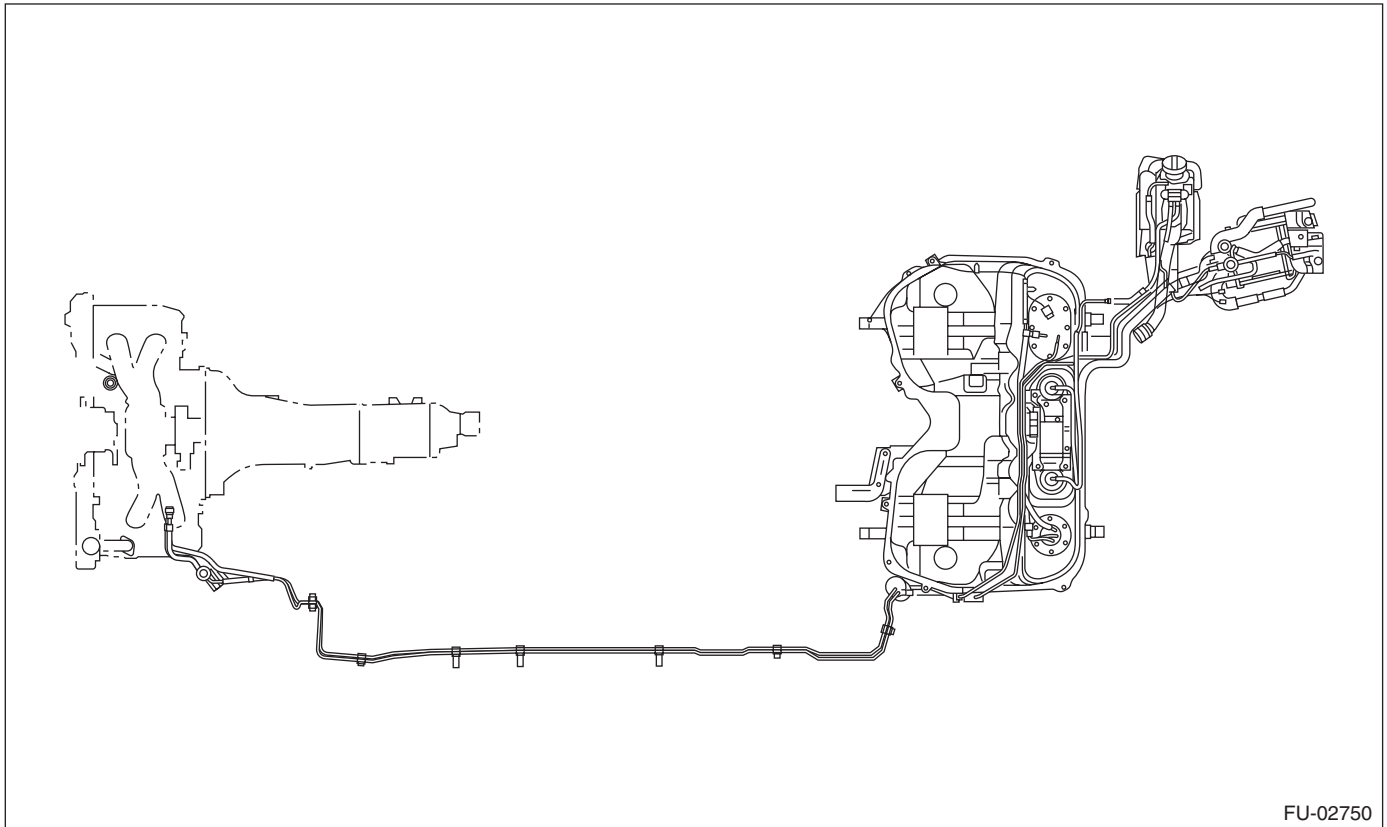
WARNING:

Place "NO FIRE" signs near the working area.

CAUTION:

Be careful not to spill fuel.

- 1) Set the vehicle on a lift.
- 2) Release the fuel pressure. <Ref. to FU(H4SO)-44, RELEASING OF FUEL PRESSURE, PROCEDURE, Fuel.>
- 3) Open the fuel filler flap lid, and remove the fuel filler cap.
- 4) Remove the floor mat. <Ref. to EI-48, REMOVAL, Floor Mat.>
- 5) Disconnect the fuel delivery pipes and hoses, and then disconnect the evaporation pipes and hoses.



6) In the engine room, disconnect the fuel delivery hose and evaporation hose.

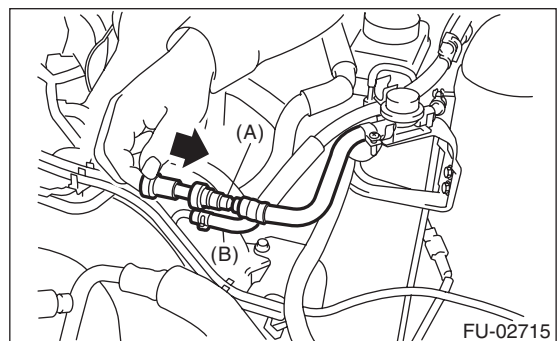
- (1) Disconnect the quick connector on the fuel delivery line by pushing the ST in the direction of the arrow.

ST 42099AE000 CONNECTOR REMOVER

- (2) Remove the clip and disconnect the evaporation hose from the pipe.

CAUTION:

- Be careful not to spill fuel.
- Catch the fuel from hoses using a container or cloth.



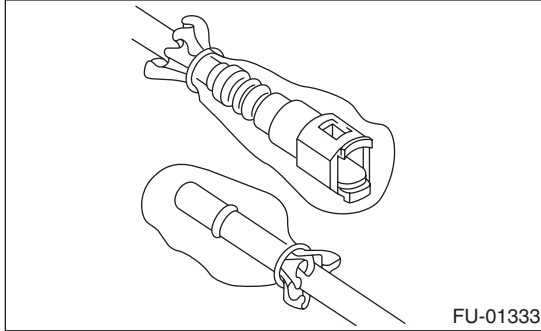
(A) Fuel delivery hose

(B) Evaporation hose

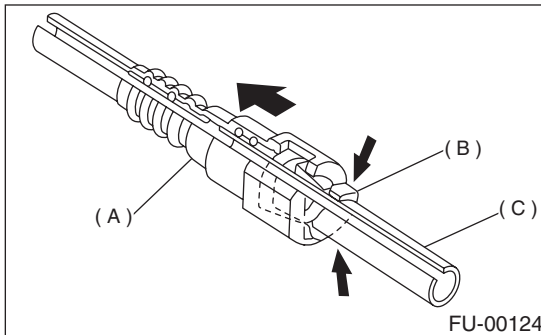
Fuel Delivery, Return and Evaporation Lines

FUEL INJECTION (FUEL SYSTEMS)

- 7) Lift-up the vehicle.
- 8) Disconnect the quick connector on the fuel line.
 - (1) Clean the pipe and connector, if they are covered with dust.
 - (2) To prevent from damaging or entering foreign matter, wrap the pipes and connectors with plastic bag etc.



- (3) Hold the connector (A) and push the retainer (B) down.
- (4) Pull out the connector (A) from the retainer (B).



- (A) Connector
- (B) Retainer
- (C) Pipe

B: INSTALLATION

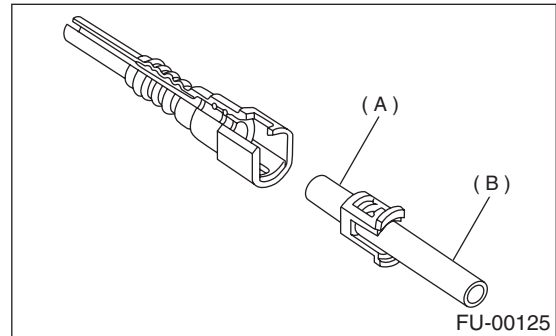
NOTE:

Replace the retainer other than in the engine room with a new part.

- 1) Connect the quick connector on fuel line.

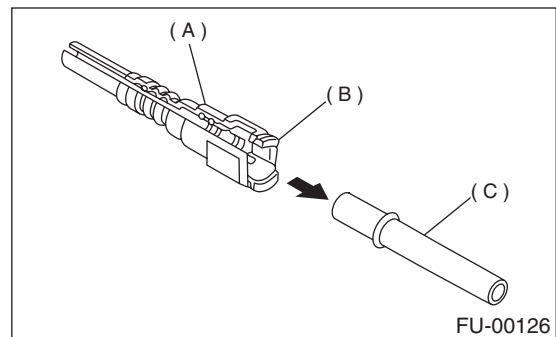
CAUTION:

Make sure there are no damage or dust on connections. If necessary, clean seal surface of pipe.



- (A) Seal surface
- (B) Pipe

- (1) Set the new retainer (B) to connector (A).
- (2) Push the pipe into the connector completely.



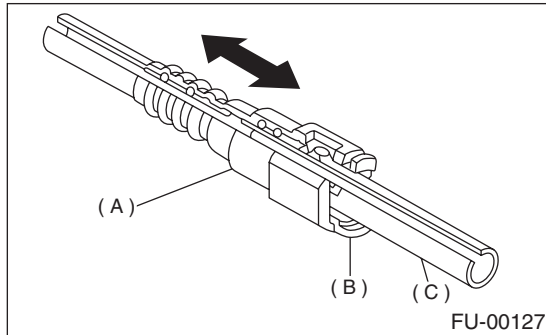
- (A) Connector
- (B) Retainer
- (C) Pipe

Fuel Delivery, Return and Evaporation Lines

FUEL INJECTION (FUEL SYSTEMS)

CAUTION:

- Pull the connector to ensure it is connected securely.
- Make sure the two retainer pawls are engaged in their mating positions in the connector.
- Be sure to inspect hoses and their connections for any leakage of fuel.



- (A) Connector
- (B) Retainer
- (C) Pipe

2) Connect the fuel delivery hose to the pipe with an overlap of 20 to 25 mm (0.79 to 0.98 in).

Type A: When the amount of inserting is specified.

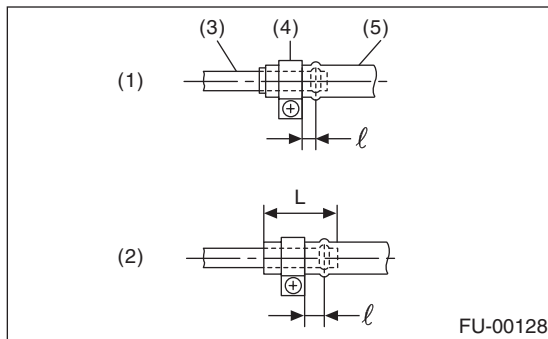
Type B: When the amount to be inserted is not specified.

$$\varnothing : 2.5 \pm 1.5 \text{ mm } (0.098 \pm 0.059 \text{ in})$$

$$L : 22.5 \pm 2.5 \text{ mm } (0.886 \pm 0.098 \text{ in})$$

CAUTION:

Be sure to inspect hoses and their connections for any leakage of fuel.

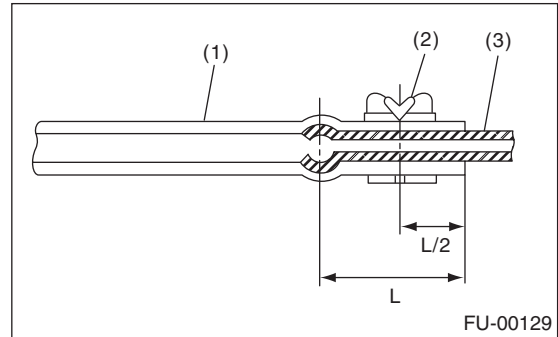


- (1) Type A
- (2) Type B
- (3) Pipe
- (4) Clamp
- (5) Hose

3) Connect the evaporation hose to the pipe with an overlap of 15 to 20 mm (0.59 to 0.79 in).

Fuel evaporation hose

$$L = 17.5 \pm 2.5 \text{ mm } (0.689 \pm 0.098 \text{ in})$$



- (1) Hose
- (2) Clip
- (3) Pipe

C: INSPECTION

1) Make sure that there are no cracks on the fuel pipes and fuel hoses.

2) Make sure the fuel pipe and fuel hose connections are tightened firmly.