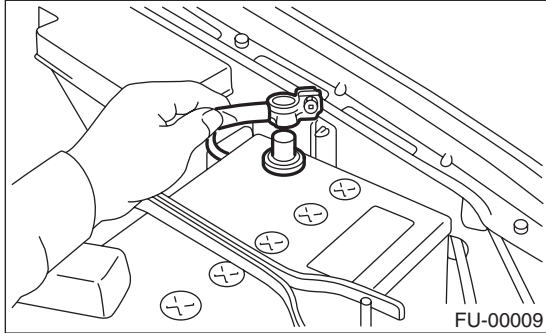


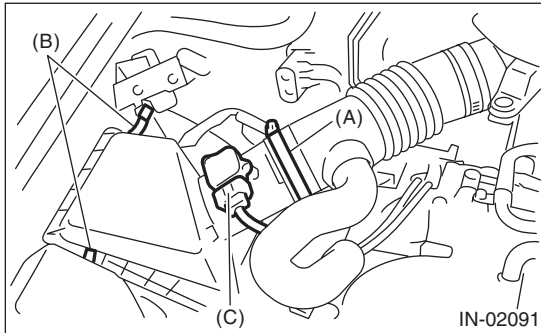
3. Air Cleaner Case

A: REMOVAL

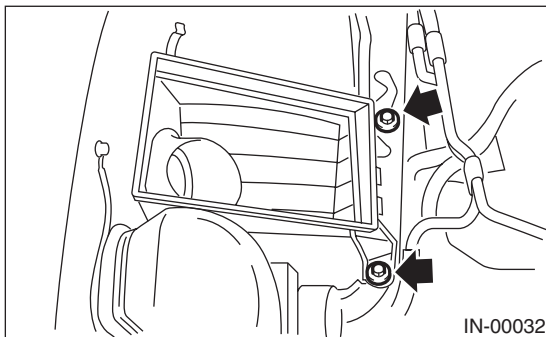
- 1) Disconnect the ground cable from the battery.



- 2) Loosen the clamps (A) which connect the air cleaner case and the intake duct.
- 3) Remove the clips (B) from air cleaner case.
- 4) Disconnect the connector (C) from mass air flow and intake air temperature sensor.



- 5) Remove the intake duct and upper cover from air cleaner case.
- 6) Remove the air cleaner element.
- 7) Remove the bolts which install air cleaner case to vehicle body.



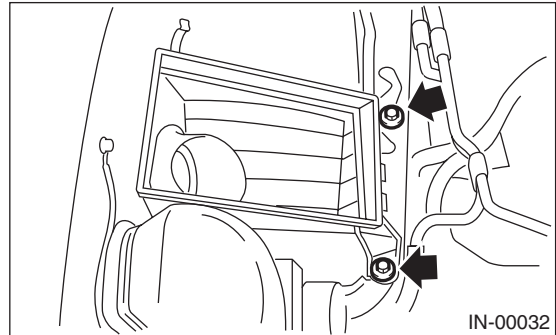
- 8) Remove the air cleaner case.

B: INSTALLATION

Install in the reverse order of removal.

Tightening torque:

33 N·m (3.4 kgf-m, 24.6 ft-lb)



C: INSPECTION

- 1) Check for cracks or loose connection.
- 2) Replace the air cleaner upper cover when the duct is damaged. (U5 model)

NOTE:

Do not remove the duct as it cannot be reinstalled. (U5 model)