

16. Cam Sprocket

A: REMOVAL

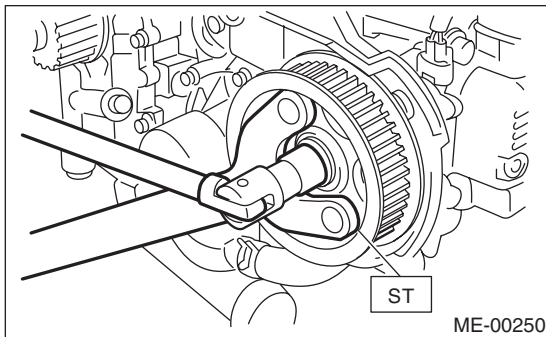
NOTE:

Perform the work with the engine installed to body when replacing a single part.

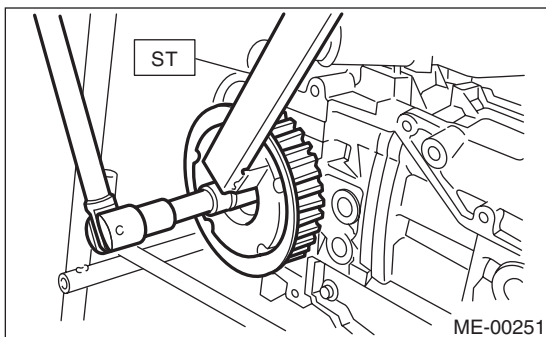
- 1) Remove the V-belts. <Ref. to ME(H4SO)-40, REMOVAL, V-belt.>
- 2) Remove the crank pulley. <Ref. to ME(H4SO)-42, REMOVAL, Crank Pulley.>
- 3) Remove the timing belt cover. <Ref. to ME(H4SO)-43, REMOVAL, Timing Belt Cover.>
- 4) Remove the timing belt. <Ref. to ME(H4SO)-44, REMOVAL, Timing Belt.>
- 5) Remove the camshaft position sensor. <Ref. to FU(H4SO)-24, REMOVAL, Camshaft Position Sensor.>
- 6) Remove the cam sprocket No. 2. To lock the camshaft, use the ST.
ST 18231AA010 CAM SPROCKET WRENCH

NOTE:

CAM SPROCKET WRENCH (499207100) can also be used.



- 7) Remove the cam sprocket No. 1. To lock the camshaft, use the ST.
ST 499207400 CAM SPROCKET WRENCH



B: INSTALLATION

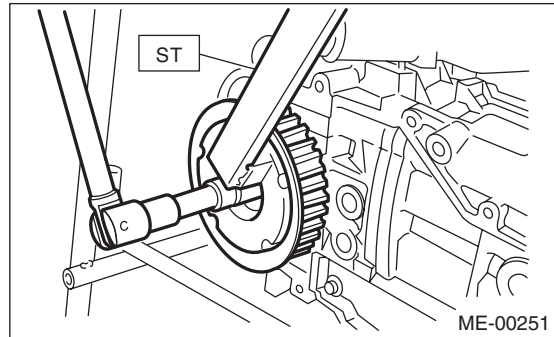
- 1) Install the cam sprocket No. 1. To lock the camshaft, use the ST.
ST 499207400 CAM SPROCKET WRENCH

Tightening torque:

78 N·m (8.0 kgf·m, 57.9 ft·lb)

NOTE:

Do not confuse left and right side cam sprockets during installation. Identify by L or R markings.



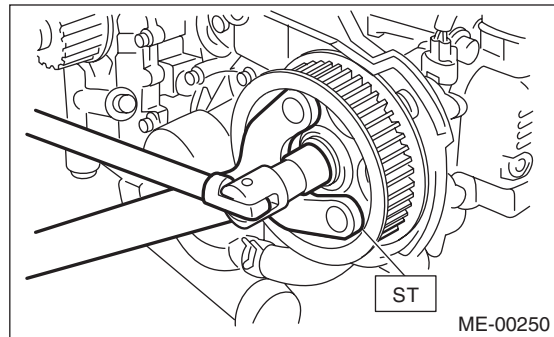
- 2) Install the cam sprocket No. 2. To lock the camshaft, use the ST.
ST 18231AA010 CAM SPROCKET WRENCH

NOTE:

CAM SPROCKET WRENCH (499207100) can also be used.

Tightening torque:

78 N·m (8.0 kgf·m, 57.9 ft·lb)



- 3) Install the camshaft position sensor. <Ref. to FU(H4SO)-24, INSTALLATION, Camshaft Position Sensor.>
- 4) Install the timing belt. <Ref. to ME(H4SO)-45, INSTALLATION, Timing Belt.>
- 5) Install the timing belt cover. <Ref. to ME(H4SO)-43, INSTALLATION, Timing Belt Cover.>
- 6) Install the crank pulley. <Ref. to ME(H4SO)-42, INSTALLATION, Crank Pulley.>
- 7) Install the V-belts. <Ref. to ME(H4SO)-40, INSTALLATION, V-belt.>

C: INSPECTION

- 1) Check the cam sprocket teeth for abnormal wear and scratches.
- 2) Make sure there is no free play between cam sprocket and key.
- 3) Check the cam sprocket protrusion used for sensor for damage and contamination of foreign matter.